

New

For kitchen design that rises to new heights: Guiding hinge Kamat



Perfect interaction

The springless hinge guides the extra high door fitted in front of a built in refrigerator. Using Kamat gives the top section of the door the necessary stability when it is opened and closed. Developed with leading expertise in refrigerator hinges, the Kamat ensures stable, precision reveal alignment at all times.



Technical details in brief

- ▶ Guiding hinge for extra high furniture fronts
- ▶ Can only be used in combination with Hettich K hinges (K99, K02 and K08)
- ▶ These K hinges are used in refrigerators with a fixed door
- ▶ Quality classification under EN 15570, Level 3
- ▶ For carcasses with 19 mm or 16 mm side panels
- ▶ No higher load capacity



To installation video:
www.hettich.com/short/c4a9a9

Special hinge

- ▶ Kamat
- ▶ For refrigerator surrounds, opening angle 115°



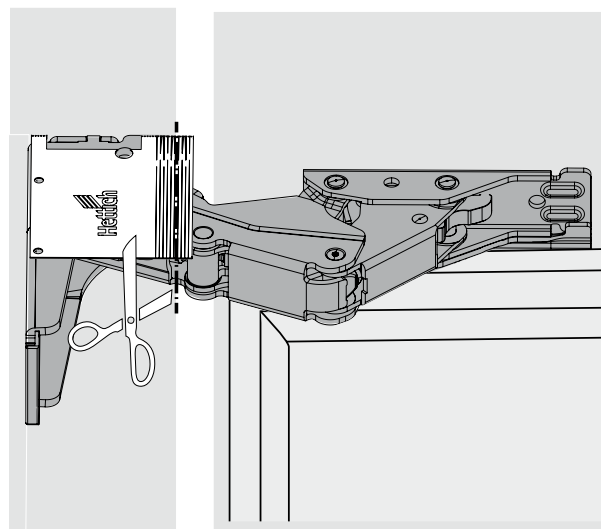
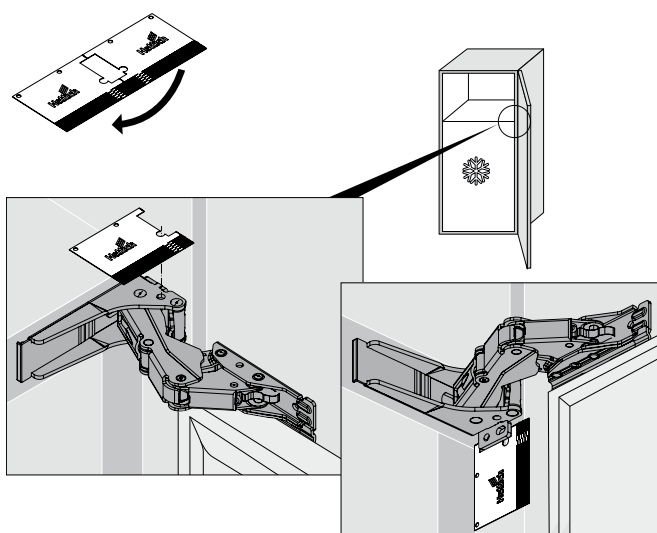
- ▶ Screw on guiding hinge for extra high furniture fronts
- ▶ Quality classification under EN 15570, Level 3
- ▶ For carcasses with 19 mm or 16 mm side panels
- ▶ Installed depth 41.5 mm
- ▶ Material: steel, nickel plated

Set comprises:

- ▶ Hinge
- ▶ Drilling template
- ▶ Spacer for 16 mm carcass
- ▶ Distance plates
- ▶ Cover cap, white
- ▶ Fixing screws
- ▶ Installation instructions

Article	Order no.	PU.
Guiding hinge	9 239 784	1 set
Kamat cover cap, grey	9 248 766	50 ea.

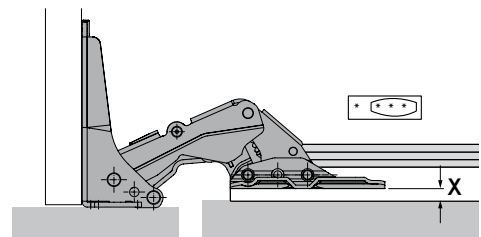
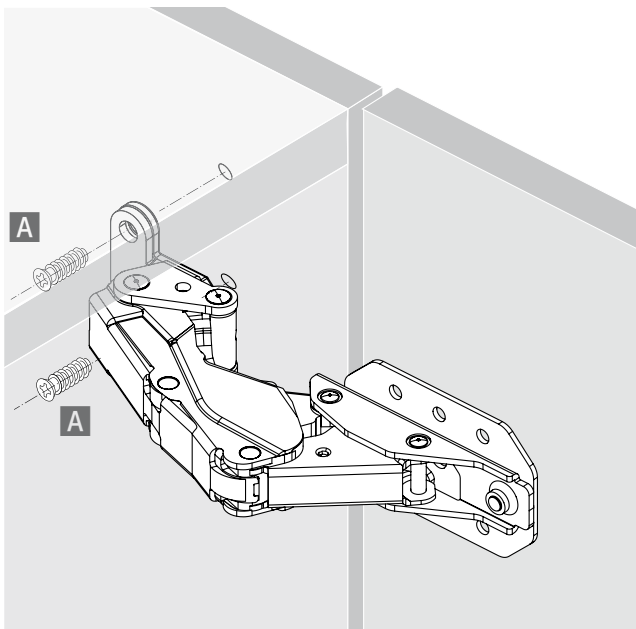
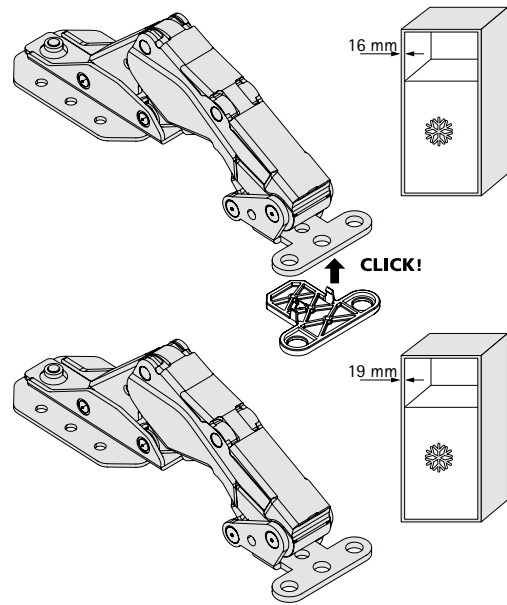
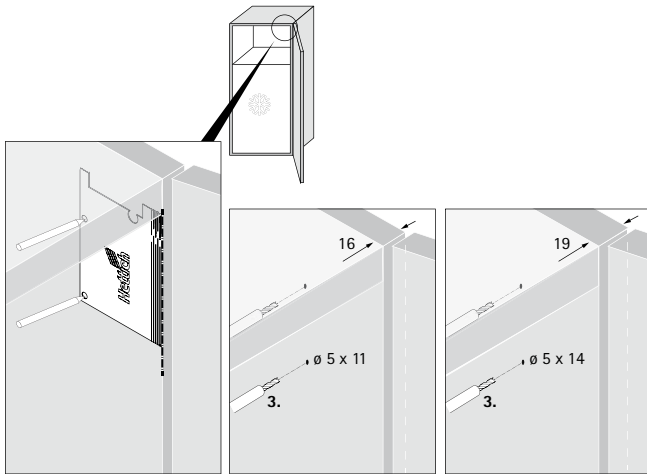
Installation



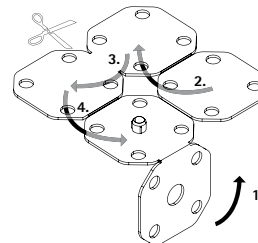
Special hinge

- ▶ Kamat
- ▶ For refrigerator surrounds, opening angle 115°

Installation



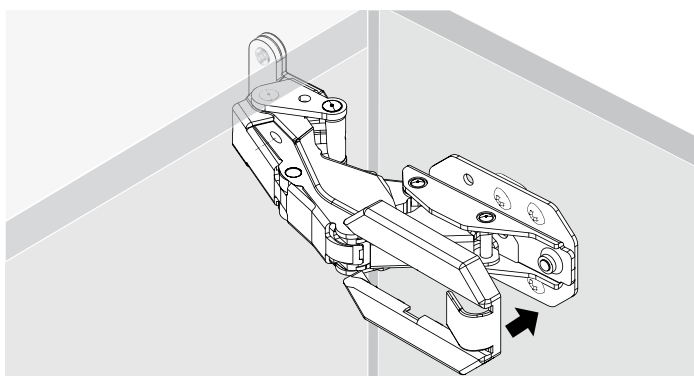
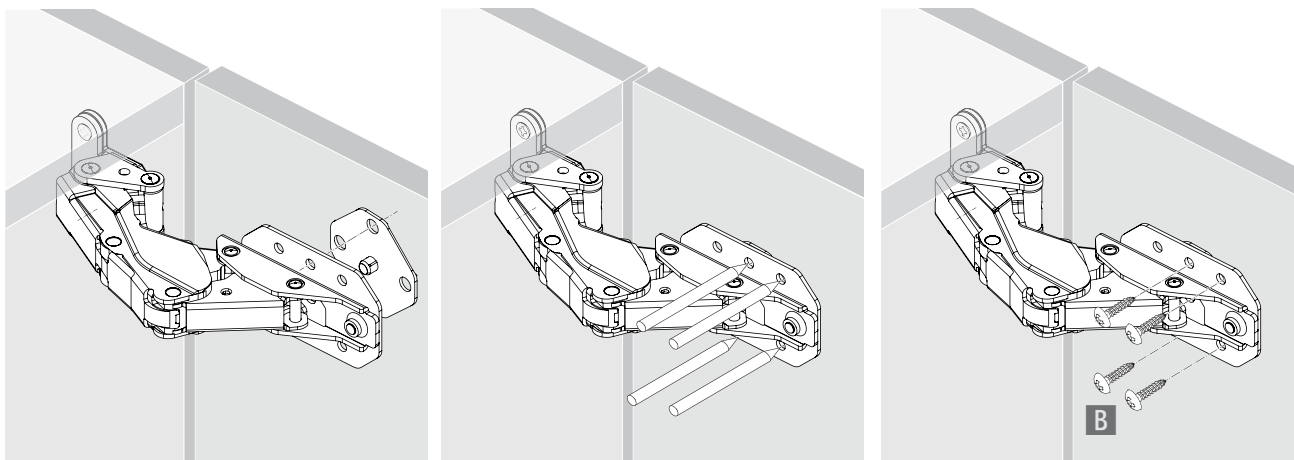
X		
1 mm	-	-
2 mm	1	-
3 mm	1	1
4 mm	1	2
5 mm	1	3
6 mm	1	4



Special hinge

- ▶ Kamat
- ▶ For refrigerator surrounds, opening angle 115°

Installation



Order no.: 9 249 296
1802-069_Kamat_03/18_HMV/en
© Hettich Marketing- und Vertriebs GmbH & Co. KG
Subject to technical modifications.