



Moving precision: Actro 5D drawer runner

Key aspects at a glance


Hettich



Moving precision: Actro 5D drawer runner

- ▶ Fascinate with narrow reveals
- ▶ Excite with smoothly running drawers
- ▶ Impress with stability



Fascinate with narrow reveals: Actro 5D drawer runner

Narrow reveals and perfectly aligned, large front panels for exceptional furniture design:

- ▶ Precision 5-way adjustment
- ▶ High reveal stability even heavily laden
- ▶ Narrow reveals for a fascinating large surface look

Installing and adjusting Actro 5D
<https://www.hettich.com/short/cf6d35>



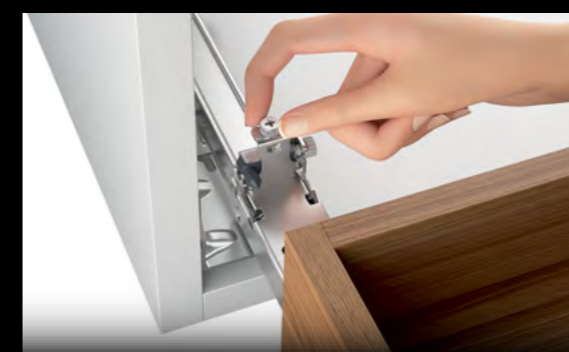
Height
(+ 3 mm)
infinitely variable and precise



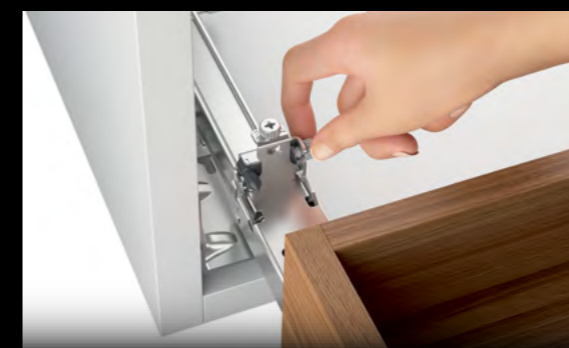
Side
(+/- 1.5 mm)
align the front panel comfortably and intuitively



Depth, optional
(+/- 2 mm)
simply clips on, ideal for inset front panels and internal drawers



Tilt
(+ 4 mm)
infinitely variable and easy to adjust



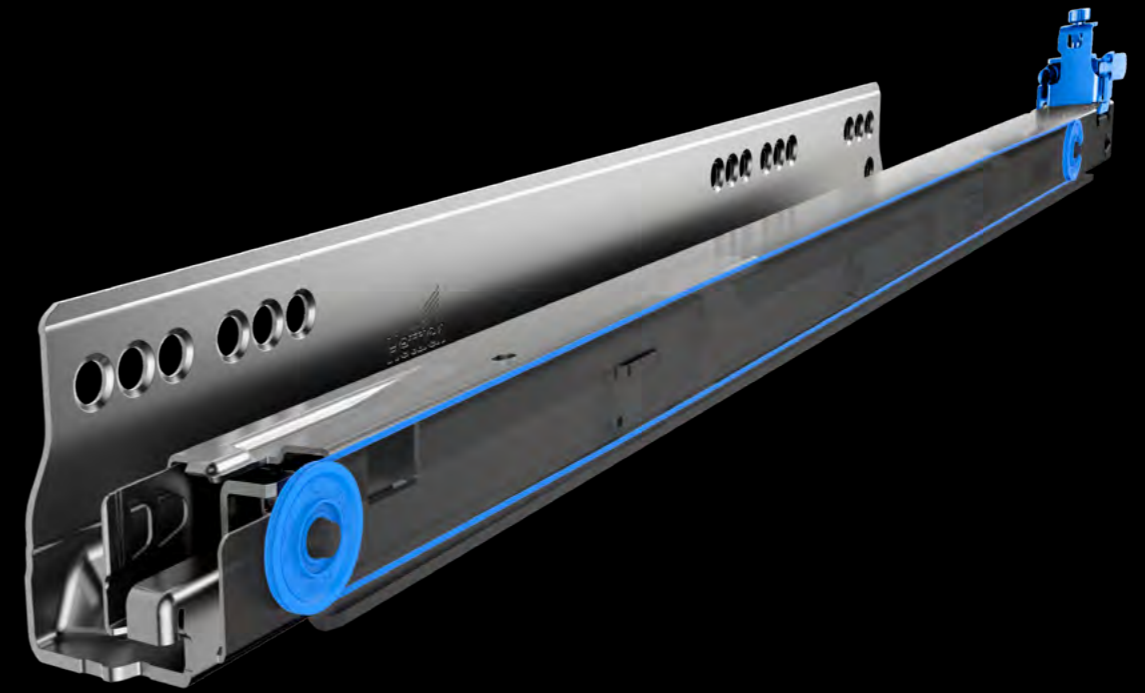
Radially
(+/- 1.5 mm)
eliminates open gap on one side or offset between adjacent cabinet bodies



Fascinate with smoothly running drawers: Actro 5D drawer runner

Actro 5D runner brings a smile to the face of furniture buyers:

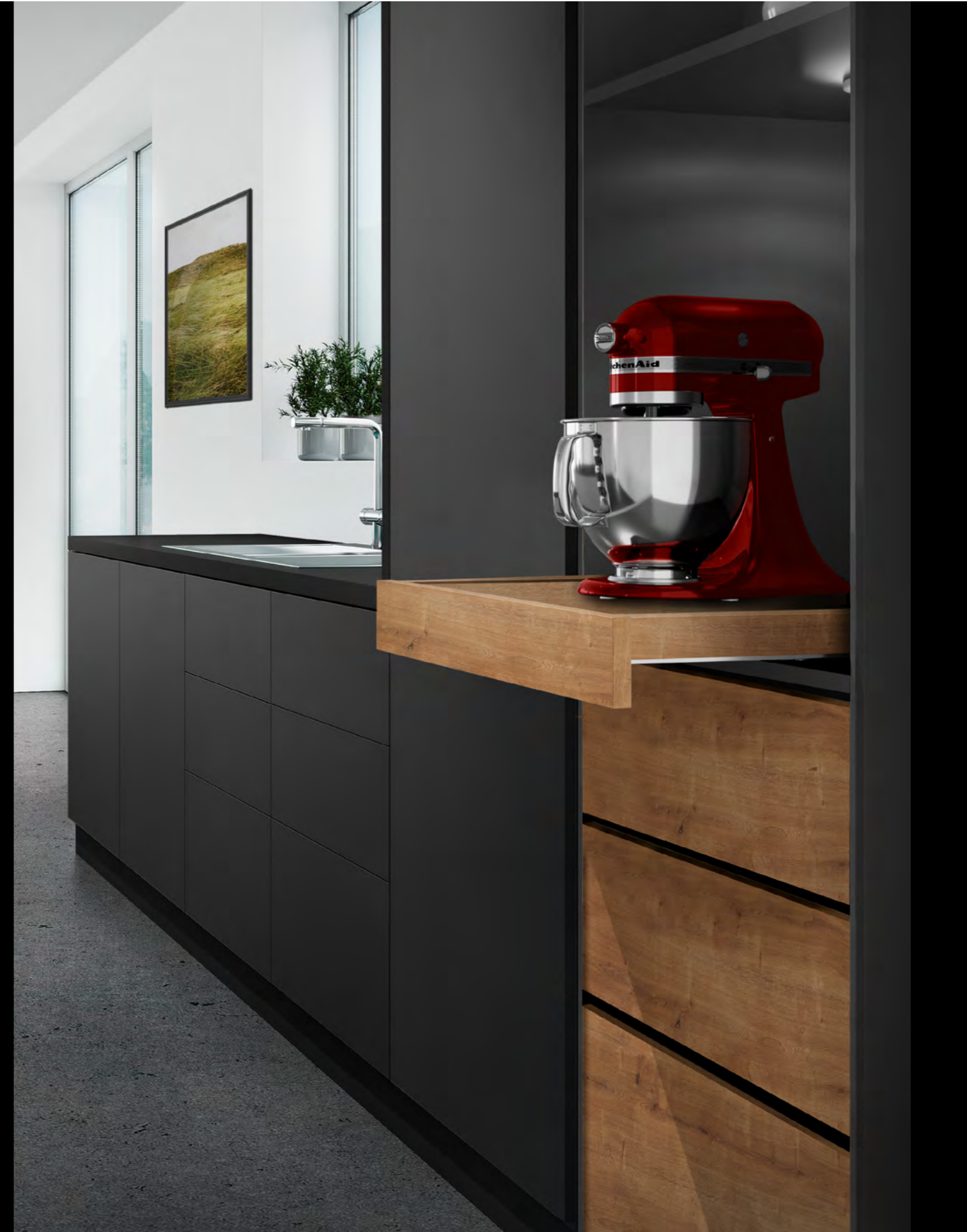
- ▶ Smooth, easy running action
- ▶ The synchronization guarantees smooth running action
- ▶ Pleasantly low opening forces
- ▶ High performance, gentle Silent System



Impress with stability:
Actro 5D drawer runner

The Actro 5D runner provides outstanding performance for modern, large format furniture design:

- ▶ Choice of load capacity either up to 10, 40 or 70 kg
- ▶ High lateral stability and excellent running performance even under high load
- ▶ For generously proportioned furniture design that stands out from the crowd



Platform concept:
Actro 5D / Actro YOU / Quadro YOU drawer runners



Same drawer dimensions and cabinet body drill holes



Quadro YOU



Actro YOU



Actro 5D

	Actro 5D for wooden drawers	Actro YOU for wooden drawers and AvanTech YOU	Quadro YOU for wooden drawers and AvanTech YOU
Description	Full extension runner with 5D adjustment	Full extension runner with height adjustment	Full extension runner with height adjustment
Load capacity	10 kg, 40 kg, 70 kg	10 kg, 40 kg, 70 kg	10 kg, 30 kg
Convenience	Silent System Push to open Silent Easys	Silent System Push to open Silent* Easys	Silent System Push to open Push to open Silent* Easys
Nominal lengths	250 – 750 mm	270 – 650 mm	270 – 600 mm

* In conjunction with AvanTech YOU; for wooden drawer with front panels \geq H 200 mm or front panel reveal \leq 4 mm, we recommend using Actro 5D with tilt adjustment capability.

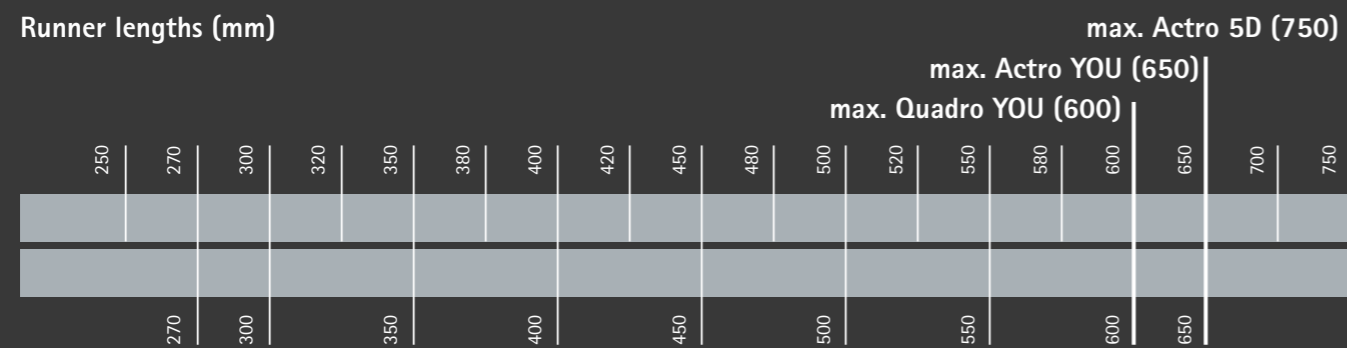
Strongly positioned in various furniture segments – with wooden drawers on runners from the AvanTech YOU drawer system:

- ▶ Actro YOU: power and convenience of the Actro 5D runner for applications that only require height adjustment
- ▶ Quadro YOU: sturdy, long lasting and unbeatable value for money, with height adjustment capability in the catch
- ▶ Platform to Actro 5D: identical drawer dimensions and cabinet body drillings

Powerful additional selling points without any adjustment to the cabinet body:
AvanTech YOU drawer system



Runner lengths (mm)

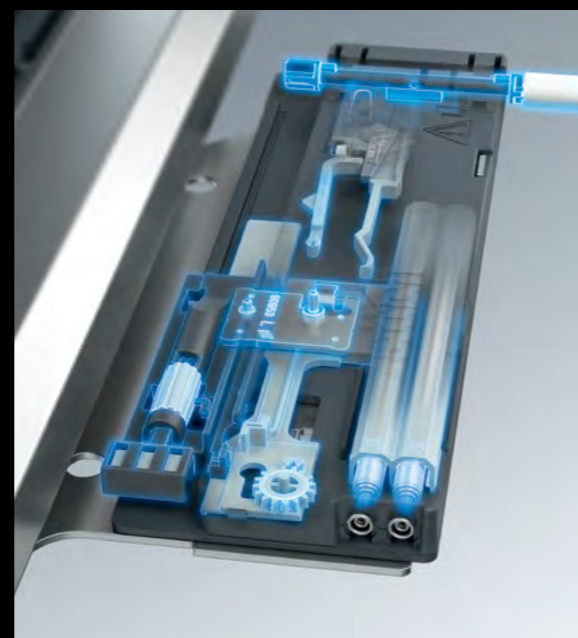


AvanTech YOU system drawer lengths (mm)

Looking for something different? Without having to depart from your cabinet body hole pattern? Or, if you use Actro YOU or Quadro YOU for wooden drawers, even on identical runners? Discover the AvanTech YOU drawer system:

- ▶ Give drawers an unmistakable look
- ▶ Make production more efficient and cost effective
- ▶ Get a variety of clever functions

Enjoy handleless furniture design: Actro 5D drawer runner



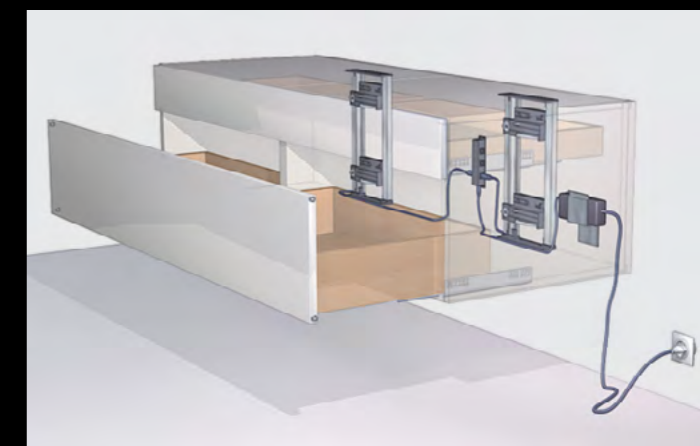
Effortlessly handleless: Push to open Silent for drawers

- ▶ The clarity and easy feel of handleless furniture design
- ▶ Easy and reliable opening, with optional synchronisation, from 2.5 mm gap between front panels
- ▶ Gentle closing, assisted by pushing energy storage system when closed slowly
- ▶ Multi synchronisation for extra wide front panels across two drawers
- ▶ Easy synchronisation for drawers in sink and washbasin units
- ▶ Easy tool-less installation

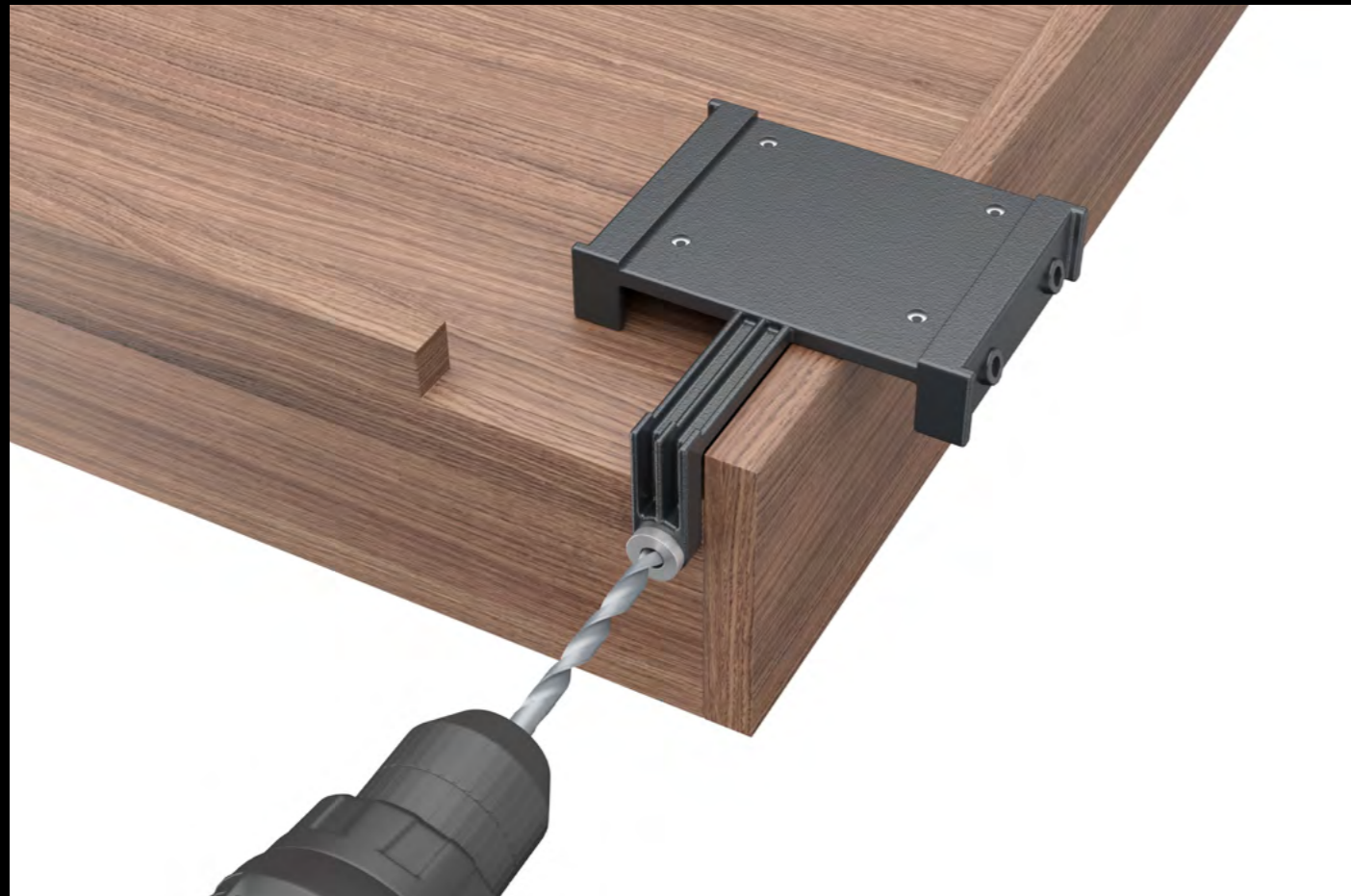


Easys electromechanical opening system

- ▶ Gentle opening in response to a light press
- ▶ Adjustable opening force
- ▶ Maximum creative flexibility from easily synchronised units and external buttons for large front panels
- ▶ Collision guard for cabinet bodies positioned diagonally opposite each other
- ▶ Installation without the need for programming



Assembly aids for any need:
Actro 5D drawer runner

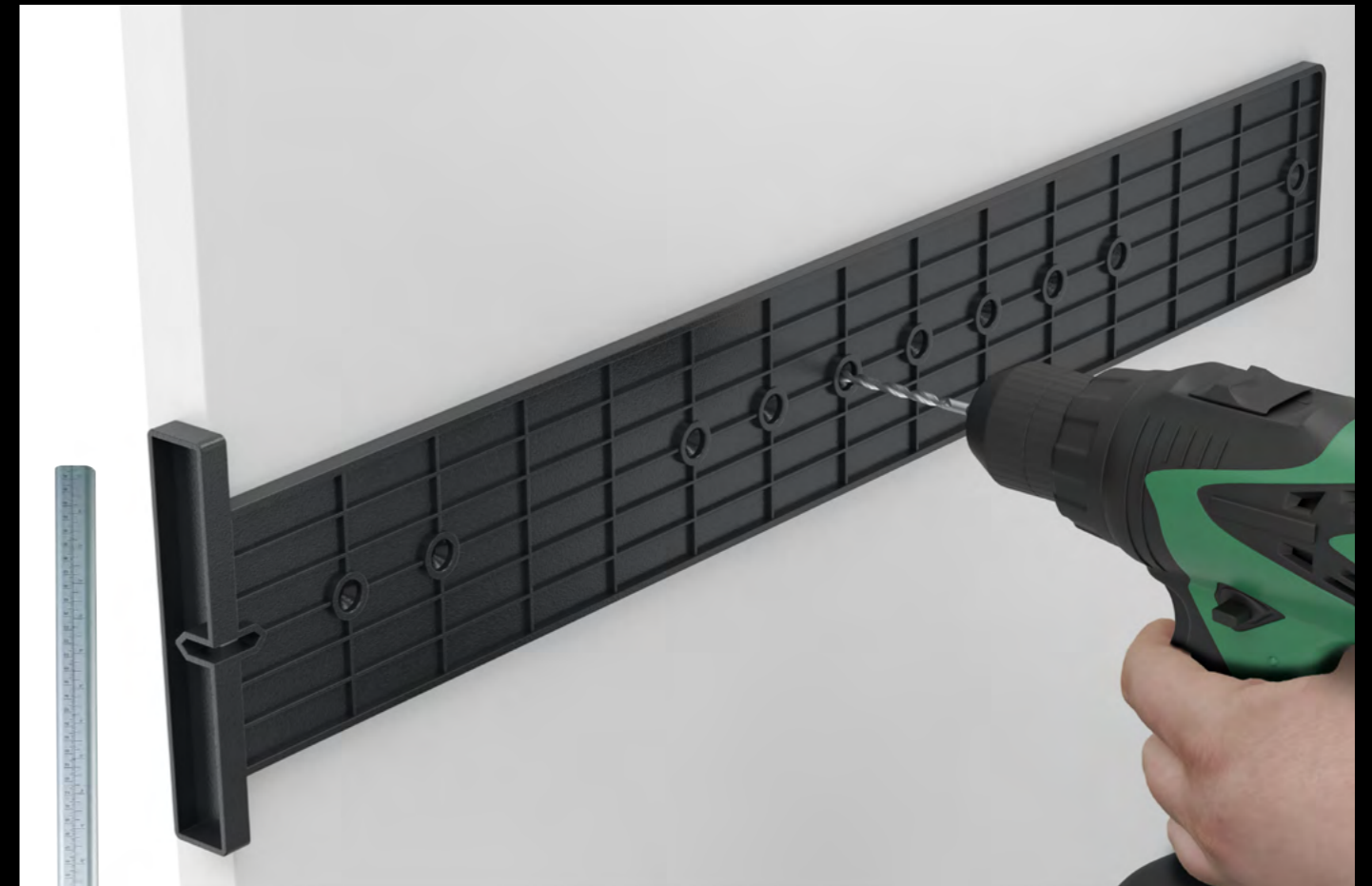


BlueJig Actro

- ▶ Drill holes for C hooks quickly and accurately
- ▶ Rule out mistakes when predrilling screw mounting positions for catches
- ▶ For Actro 5D and Actro YOU

BlueJig Start

- ▶ Simple, straightforward solution
- ▶ Holes for C hook are drilled in seconds

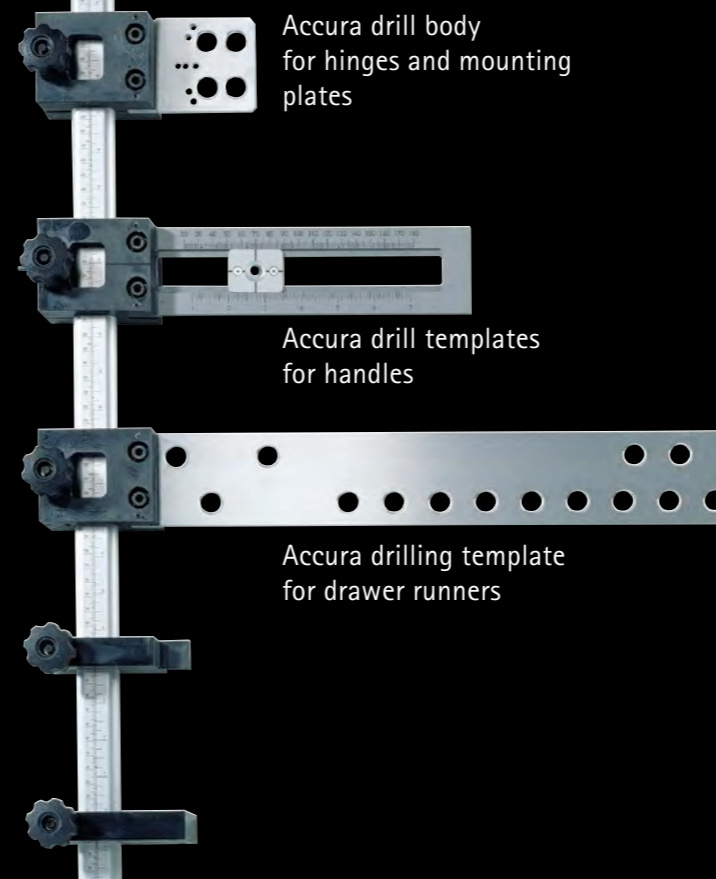


Cabinet body drilling jig for runners

- ▶ Fast, precision drilling
- ▶ Practical and self explanatory

Accura

- ▶ Providing versatility, a variety of drilling templates are available for mounting all sorts of fittings
- ▶ Easy adjustment of drilling templates and stops by means of clamping screws
- ▶ Using sleeve drill bits - minimum drill wear as the drill bit does not come into contact with the jig



Accura drill body for hinges and mounting plates

Accura drill templates for handles

Accura drilling template for drawer runners

Benefits at a glance:
Actro 5D drawer runner

For furniture quality you can see and feel: Actro 5D

- ▶ Precision tool-less 5-way adjustment
- ▶ Perfectly aligned front panels
- ▶ Exceptional stability, also from large and heavy pull-outs
- ▶ Unequaled running action – smooth and quiet
- ▶ Load capacity up to 70 kg for innovative furniture design
- ▶ Optional Push to open Silent, opens without handles, closes with Silent System

www.hettich.com

Order no.: 0000000
ActrosD_09/23_HMV/en

