



German quality you can trust



Cargo Series-Kitchen Solutions Italian Design. German Technology.

CargoTech
Master Catalogue



FREE
Design Services
incl. bill of qty.

Technik für Möbel


Hettich



Hettich Manufacturing Unit at Vadodara, India

The company's origins date back to 1888, when Karl Hettich began making the new clock component he had invented. By 1930, his descendants had diversified into furniture fittings, setting up production in East Westphalia – a centre of the German furniture industry. Today, Hettich, still family owned, has become an industry leader with a worldwide reputation. We're one of the world's largest manufacturers of high-quality furniture fittings, with over 6,000 employees in more than 100 countries.

The company's success has been built on four enduring values: quality, innovation, close cooperation with customers and absolute reliability. We work to inspire our customers with our ideas and our passion.

Hettich – an Indian success story

Hettich started operations in India with the dawn of new millennium. In the short span of 19 years, the company has gained the undisputed leadership position in the Indian furniture fittings & hardware industry.

Hettich India prides itself on having most of the major hardware dealers in India as its trade partners across the country. These dealers are spread over all important cities and towns, so that they are within easy reach of the customer. Hettich India delivers complete "peace of mind" to the Indian furniture manufacturing industry. We have a strong reputation for providing high quality and high tech products. Our products are backed by pre- and after-sales service and on-time deliveries, and by value adding services like design and installation support.



* Refer Website



Warranty

For Warranty
please refer to website.
www.hettich.com/in

Free Design Service:

Looking for Designs to liven up your Living Room, Bedroom, Bathroom & Kitchen. A dedicated team of highly qualified Interior Designers is at your service to provide customised design solution to suit every taste and budget at zero cost to you.

Free Consultation at your doorstep:

Looking for perfect Furniture Fittings solution. A dedicated team of highly qualified professionals is at your service to provide the perfect furniture fittings solution to suit your need and budget at zero cost to you.

Hettich Customer Care Service:

In today's fast paced and technologically advanced era, most of the organizations succumb to the pressure of staying ahead in the competition and often, end up neglecting the most critical aspect of business i.e. CUSTOMERS. Hettich, being a CUSTOMER CENTRIC organization, is very sensitive towards this tendency; hence, we constantly try to provide the best and quality driven products and services.

Enquiry & Customer Services

Toll Free : 1800 209 2096 (office hours)
Email: sales_enquiry@in.hettich.com
customer_services@in.hettich.com
www.hettich.com

Free Training Services:

Free Training Services for carpenters of trade partners and customers

Training Center Address:

Hettich Poddar Wood Work Institute
Plot No.2, First Floor,
DLF Industrial Estate - 1
Near NHPC Metro Station
Faridabad, Haryana

Email: info@hpwwi.com
Ph: 0129 - 4203888



**Hettich Poddar
WoodWorking
Institute**

Skillling • Upskilling • Reskilling

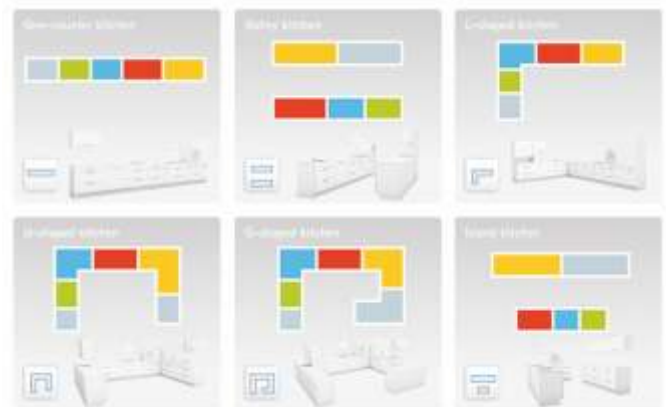


Intelligent Kitchens

There are three important points to bear in mind when planning a kitchen:

- ▶ Keep the distance short
 - ▶ Get the ergonomics right
 - ▶ Take advantage of today's brilliant internal fittings
- Working with the five functional areas (illustrated), the planning concept helps to produce a layout that keeps distances short & workflow smooth. It also identifies intelligent storage solution for each area.

Hettich's functional fittings are key elements in an intelligent, user friendly kitchen. They help to ensure good ergonomics, efficient storage & easy access.



Cargo Accessories for Serving Trolley

Index

Storage Solutions	
Cargo Midway Series*	04-05
Cargo Duo	06-07
Cargo Larder	08-09
Cargo Corner Solutions	
Cargo Magic	10
CargoMan Regular & CargoMan Soft Close	11
Cargo Carousal	12
Cargo Overhead Solutions	
Cargo Dish Drainer	13
Cargo Moving Shelf	14
Cargo Bottle PullOuts	
Cargo IQ	15-16
Cargo Spice Pull Out	17
Cargo Misc. Accessories	
Cargo Portable Dish Drainer*	18
Cargo Dustbins	19-26
Cargo Detergent Holder	27
Cargo Cylinder Trolley	28

* New Launch



Jar Rack

- ▶ Can be used to keep jars of pickles etc, for easy access
- ▶ Plexi glass base for better holding of material
- ▶ Finish: Chrome Plated
- ▶ 10 year replacement warranty against rust
- ▶ Width 280 mm, Depth 155 mm, Height 260 mm

Finish	Order no.	PU
Chrome plated	9 217 143	1



Multi Purpose Rack, 2-tier

- ▶ Can be used to keep small containers of spices etc
- ▶ Plexi glass base for better holding of material
- ▶ Finish: Chrome Plated
- ▶ 10 year replacement warranty against rust
- ▶ Width 185 mm, Depth 120 mm, Height 325 mm

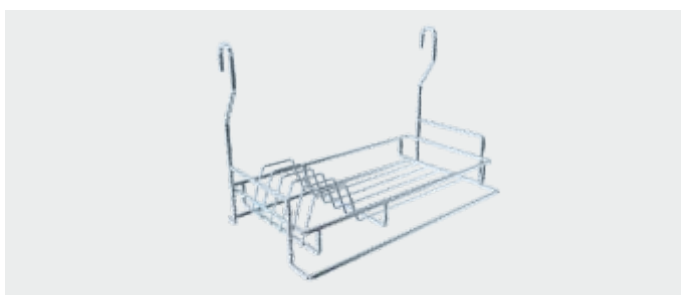
Finish	Order no.	PU
Chrome plated	9 217 145	1



Oil Container Rack

- ▶ Can be used to keep oil, sauce bottles etc
- ▶ Plexi glass base for better holding of material
- ▶ Finish: Chrome Plated
- ▶ 10 year replacement warranty against rust
- ▶ Width 150 mm, Depth 150 mm, Height 325 mm

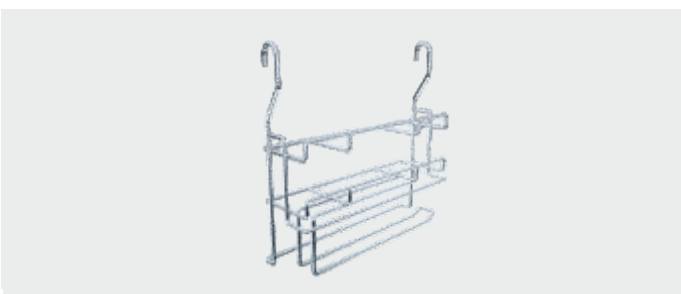
Finish	Order no.	PU
Chrome plated	9 217 148	1



Saucer Rack

- ▶ Can take upto 6 saucers
- ▶ Finish: Chrome Plated
- ▶ 10 year replacement warranty against rust
- ▶ Width 385 mm, Depth 205 mm, Height 255 mm

Finish	Order no.	PU
Chrome plated	9 217 179	1



Kitchen Roll Holder

- ▶ Can be used to hold kitchen roll, aluminium foil & wrapping roll
- ▶ Finish: Chrome Plated
- ▶ 10 year replacement warranty against rust
- ▶ Width 333 mm, Depth 100 mm, Height 325 mm

Length	Order no.	PU
Chrome plated	9 269 987	1

Cargo Midway Series

► Accessories of European Origin



Railing Set, 600 mm

Set comprises:

- 1 tube (ø16 mm, 600 mm long)
- 2 Wall brackets
- 2 end caps

Order no.	PU
9 267 133	1 set

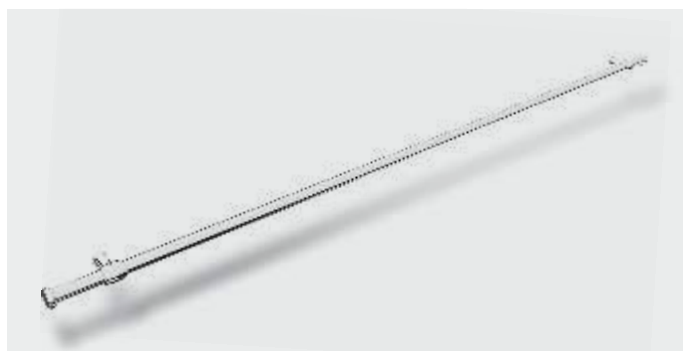


Railing Set, 900 mm

Set comprises:

- 1 tube (ø16 mm, 900 mm long)
- 2 Wall brackets
- 2 end caps

Order no.	PU
9 267 134	1 set



Railing Set, 1200 mm

Set comprises:

- 1 tube (ø16 mm, 1200 mm long)
- 2 Wall brackets
- 2 end caps

Order no.	PU
9 267 135	1 set

Features



- ▶ Soft Close System & Pull Out mechanism of European Origin
- ▶ Swivelling Pull out equipped column mechanism (reversible) with 8 or 12 wire bottom baskets
- ▶ Pull out shelf is pulled outward when door is opened
- ▶ As weight of the frame is all down to the bottom cabinet, no sagging or influence of weight on hinges
- ▶ Door & pull out shelf ensure full use of enormous space available
- ▶ Can be used as left hand & right hand unit
- ▶ Can also be used for 2 door units (900 or 1200mm) without central panel
- ▶ Cabinet width 450 & 600mm
- ▶ Use 110° OR 165° hinges, for easy access
- ▶ Load capacity 50 Kg
- ▶ Minimum internal carcass depth 500mm
- ▶ Powder coated frame grey

Set Comprises:

- ▶ Mechanism (which contains back frame, front frame & mechanism)
- ▶ Cargo Duo Basket Set (Door & Cabinet basket) as per no. of layers

(Each item as above to be ordered separately)

For outer cabinet width (mm)	For inside carcass width (mm)	Min. inside carcass height (mm)	Article no. for Mechanism	PU
450	410	1215 4-tier	9 236 364	1
450	410	1800 6-tier	9 236 366	1
600	560	1215 4-tier	9 236 365	1
600	560	1800 6-tier	9 236 367	1

Stainless steel Pull out baskets & Door shelf baskets



Stainless steel pull out baskets

- ▶ For hook assembly in the pull-out frame
- ▶ Chrome-plated Stainless steel basket
- ▶ 10 years free replacement warranty against rusting



Stainless steel door shelf baskets

- ▶ For hook assembly in the door frame
- ▶ Chrome-plated Stainless steel basket
- ▶ 10 years free replacement warranty against rusting

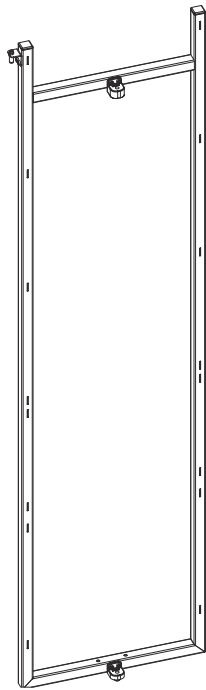
For width (mm)	Stainless steel pull out basket (W x D x H) mm	Stainless steel door shelf basket (W x D x H) mm	Article no.	PU
450	360 x 220 x 90	335 x 110 x 90	9 235 979	1set
600	510 x 220 x 90	485 x 110 x 90	9 235 980	1set

Note:

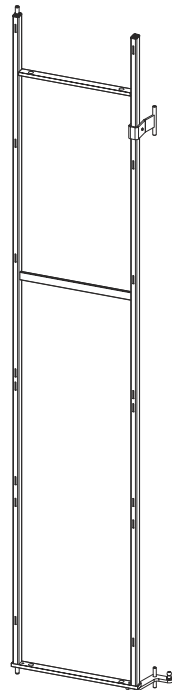
Ordering Example: For 450 mm Carcase width & 1800 mm height (6 layers),
Order Mechanism Article no. 9 236 366 (1 set) & Basket / Shelf Article no. 9 235 979 (6 sets).

Cargo Duo

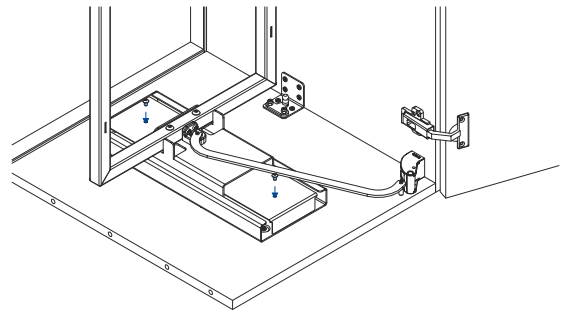
Product details



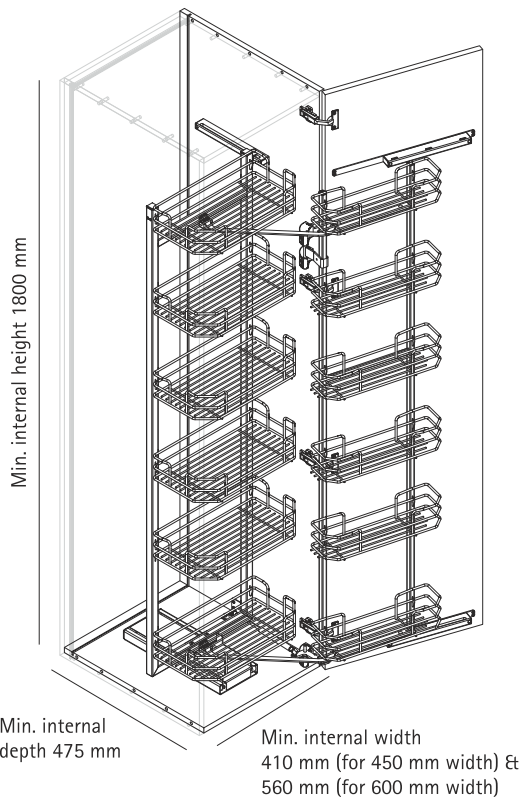
Back frame



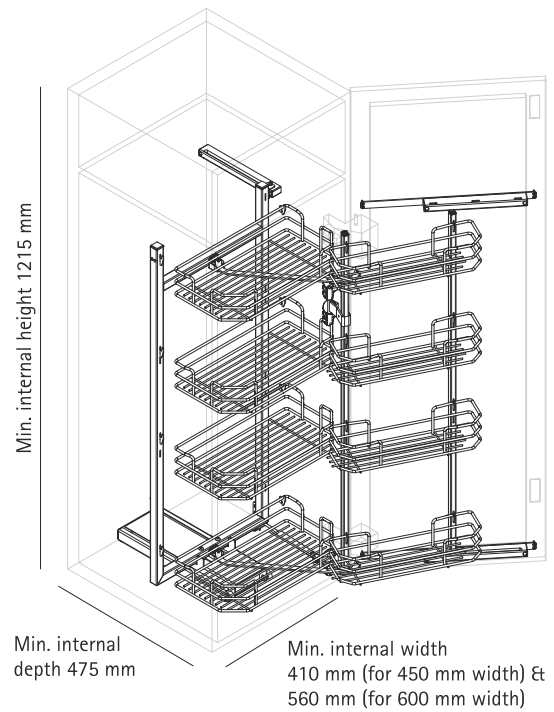
Front frame



Mechanism



Type- 6 tier



Type- 4 tier

Features



- ▶ Larder with Integrated Silent System mechanism of European Origin
- ▶ Top runner is on ball bearing, thus very stable
- ▶ 100,000 cycles tested
- ▶ 3D adjustable for fascia with the screws
- ▶ Eccentric screw to adjust the door height
- ▶ Baskets secured to the door with double clips
- ▶ Telescopic adjustable frame
- ▶ Powder coated frame grey

Center upright

- ▶ Complete with Silent System
- ▶ 300 mm height adjustable
- ▶ Suitable for cabinet widths 300, 400 & 450mm
- ▶ Minimum inside carcass depth 505 mm
- ▶ Pull out system with baskets / shelves must be ordered separately
- ▶ Powder-coated steel, silver

Set Comprises:

- ▶ Cargo Larder Mechanism (1 kit)
- ▶ Cargo Larder Frame (1 pc)
- ▶ Cargo Larder Basket Holders (1 set per layer)
- ▶ Cargo Larder Baskets (qty as per no. of layers)

(Each item as above to be ordered separately)

Full extension runner mechanism & basket



Full extension runner

- ▶ Full extension slides kit for Cargo Larder with soft closing and door brackets -120 kg (6 layers) & 80 kg (5 layers) load capacity

Carcass outer width (mm)	PU	Article no. 80kg / 5 layers	Article no. 120kg / 6 layers
300	1Kit	9 236 381	9 236 386
400	1Kit	9 236 382	9 236 387
450	1Kit	9 236 383	9 236 388



Stainless steel baskets

- ▶ For hook in assembly in the center upright
- ▶ With double railing
- ▶ Chrome-plated Stainless steel basket
- ▶ 10 years free replacement warranty against rusting

For width (mm)	W x D x H (mm)	Article no.	PU
300	230 x 435 x 115	9 235 981	1
400	330 x 435 x 115	9 235 982	1
450	380 x 435 x 115	9 235 983	1



Basket Holders

- ▶ For connecting baskets to the frame, one set required for each layer of basket

Basket Holders	Article no.	PU
Cargo Larder Basket Holders	9 236 391	1set

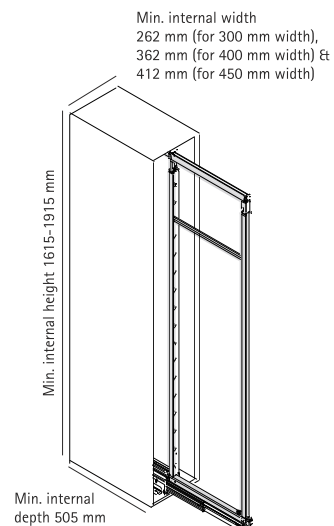
Cargo Larder

► Frame

For Inside carcass height 1615 -1915 mm (for 5 layers)



- Minimum inside carcass depth 505 mm
- No. of baskets - 5
- Powder-coated steel, silver

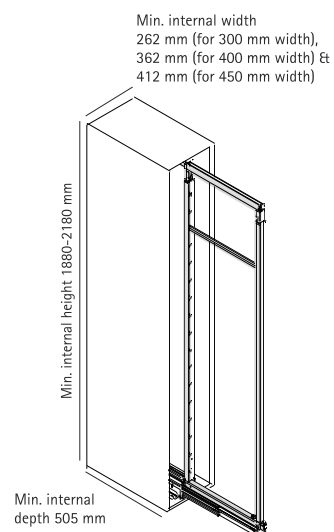


Min. inside carcass width (mm)	Carcass outer width (mm)	Article no.	PU
262	300	9 236 379	1
362	400	9 236 379	1
412	450	9 236 379	1

For Inside carcass height 1880 -2180 mm (for 6 layers)



- Minimum inside carcass depth 505 mm
- No. of baskets - 6
- Powder-coated steel, silver



Min. inside carcass width (mm)	Carcass outer width (mm)	Article no.	PU
262	300	9 236 380	1
362	400	9 236 380	1
412	450	9 236 380	1

Note:

Ordering Example: For 450 mm Carcass width & 1615-1915 mm height / 80 kg (5 layers), Order Full extension runner Article no. 9 236 383 (1 kit), Frame Article no. 9 236 379 (1 pc), Basket Article no. 9 235 983 (5 nos.), Basket Holders Article no. 9 236 391 (5 set).

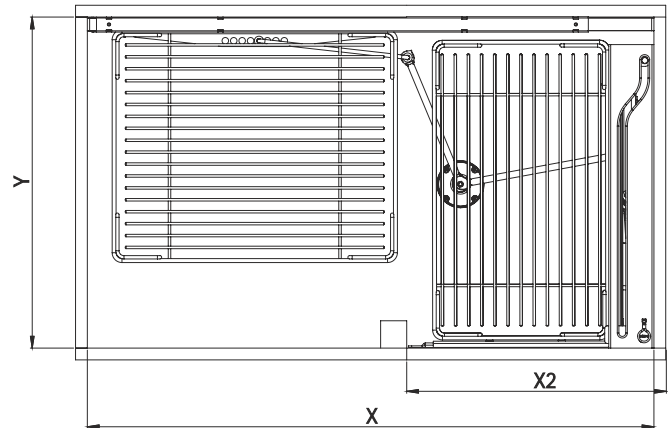
Cargo Magic

Cargo Magic



- ▶ Integrated soft close silent system Et Pull Out mechanism of European Origin
- ▶ Optimum use of space for corner cabinets 900 and 1000 mm wide
- ▶ Total load capacity of 4 Stainless steel basket 35kg
- ▶ Finish : Chrome Plated

Product details



> <	X	X2	Y
900	810-862	450-500	470
For inside carcass width (mm)			505

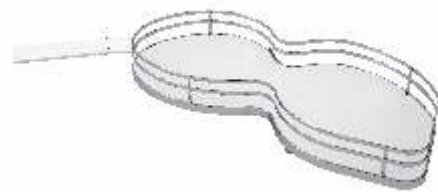
S.no.	Description	Unit	Article no.	PU
1.	Cargo Magic left	Set	9 221 244	1
2.	Cargo Magic right	Set	9 221 243	1
3.	Stainless steel baskets (set of 4 pcs)	Set	9 221 242	1

CargoMan Regular & CargoMan Soft Close

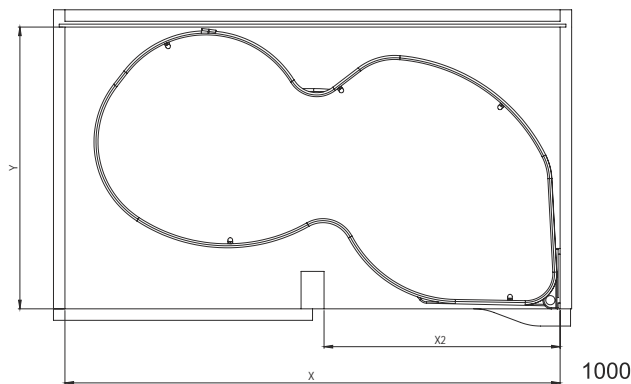
Features



- ▶ 2 variant CargoMan Regular & CargoMan Soft Close System & Pull Out mechanism of European Origin
- ▶ Pull-out shelves for corner cabinet
- ▶ The shelves can be swivelled out individually and completely
- ▶ Load capacity 20 kg / shelf
- ▶ Minimum inside carcass depth 490 mm
- ▶ With fast assembly system
- ▶ Two melaminated bottom shelves with anti-slip surface and chrome-plated rail
- ▶ Can be used in odd or even numbers, as flexibility to use single units
- ▶ No extra attachment required to install
- ▶ Installation very simple on the bottom of the cabinet
- ▶ Right and left version



Product details



CargoMan

><	X	X2	Y	Z
900	862	450	490	150
1000	962	500	490	150
1000	962	600	490	150

CargoMan M

><	X	X2	Y	Z
900	862	450	490	150
1000	962	500	490	150

Z = Minimum internal cabinet height for one layer

S.no.	Description	Unit	PU	Article no. (Regular)	Article no. (Soft Close)
1.	450 LH (Single layer)	Pc	1	9 161 975	9 218 017
2.	450 RH (Single layer)	Pc	1	9 161 976	9 218 018
3.	500 LH (Single layer)	Pc	1	9 161 977	9 218 019
4.	500 RH (Single layer)	Pc	1	9 161 978	9 218 020
5.	450 LH (Double layer)	Pair	1	9 161 971	9 218 025
6.	450 RH (Double layer)	Pair	1	9 161 972	9 218 026
7.	500 LH (Double layer)	Pair	1	9 161 973	9 218 027
8.	500 RH (Double layer)	Pair	1	9 161 974	9 218 028
		Unit	Article no.	PU	
1.	CargoMan M corner pull out 450 LH (Single layer)	Pc	9 218 013	1	
2.	CargoMan M corner pull out 450 RH (Single layer)	Pc	9 218 014	1	
3.	CargoMan M corner pull out 500 LH (Single layer)	Pc	9 218 015	1	
4.	CargoMan M corner pull out 500 RH (Single layer)	Pc	9 218 016	1	
5.	CargoMan M corner pull out 450 LH (Double layer)	Pair	9 218 021	1	
6.	CargoMan M corner pull out 450 RH (Double layer)	Pair	9 218 022	1	
7.	CargoMan M corner pull out 500 LH (Double layer)	Pair	9 218 023	1	
8.	CargoMan M corner pull out 500 RH (Double layer)	Pair	9 218 024	1	

Cargo Carousel

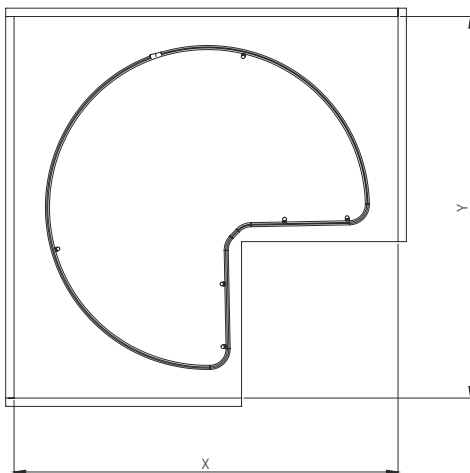
Features



- ▶ Soft Close System Et Pull Out mechanism of European Origin
- ▶ Perfect corner solution, for carcass dimension 900 X 900mm
- ▶ Very stable as installed on a wooden self and easy to fit
- ▶ Three-quarter circle revolving shelves: melamine coated white wooden shelves with anti-slip
- ▶ Each shelf independent, with options to have odd or even numbers of layers
- ▶ 20 kg load capacity per shelf
- ▶ No bars that interfere so end user can store more and reach better
- ▶ 2 Flat bars for more stability and no possibility that goods fall out
- ▶ Railing: Chrome Finish



Product details

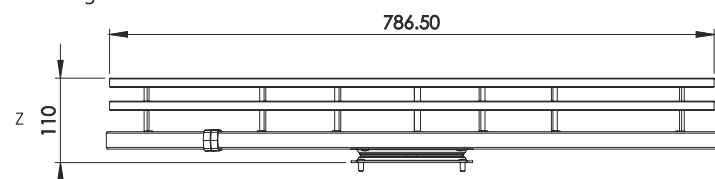


>□<	X	Y	Z
900 x 900	862	862	110

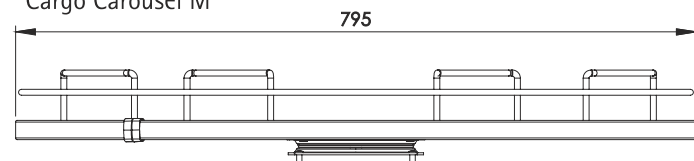
Set Comprises:

- ▶ 2 three- quarter circle revolving shelves
- ▶ 1 set of fittings

Cargo Carousel



Cargo Carousel M



S.no.	Description	Unit	Article no.	PU
1.	Cargo Carousel 3/4- 900 mm	Set	9 219 462	1
2.	Cargo Carousel M 3/4- 900 mm	Set	9 219 465	1

Cargo Dish Drainer

▶ Draining rack & Collecting Tray



Features



- ▶ Convenience of modular concept
- ▶ Available for two different cabinets width 600 mm & 900 mm
- ▶ Two layers of dish drainer & cutlery drainer
- ▶ Unique PVC collecting tray with Hettich branding
- ▶ 600 mm can take 6 Thali / 8 Plates (of ø 280 mm)
- ▶ 900 mm can take 9 Thali / 15 Plates (of ø 280 mm)
- ▶ Combines convenience with unmatched stability & strength
- ▶ Sturdy stainless steel wire basket structure
- ▶ Can be mounted very easily
- ▶ Finish: Chrome Plated
- ▶ Made of stainless steel wire

Description	Unit	Article no.	PU
For 600 mm	Set	9 206 160	1
For 900 mm	Set	9 206 161	1

Product details:



Set Comprises:

- ▶ Two draining racks for drying / storing of thali / plate / utensils / crockery, One Collecting Tray

Size (in mm)	600			900		
	Width	Depth	Height	Width	Depth	Height
Dish Drainer	555	262	123	855	262	123
Cutlery Drainer	555	262	103	855	262	103

Size (in mm)	600			900		
	Width	Depth	Height	Width	Depth	Height
Internal Carcass Dimension	564	294	614-664	864	294	614-664



Installation Stage 1:

- ▶ Mount side holder in C/c on both side of carcass accordingly
- ▶ Maintain minimum 120mm distance between bottom to 1st holder
- ▶ Maintain minimum 225mm distance between 1st holder to 2nd holder



Installation Stage 2:

- ▶ Mount Draining system in holders
- ▶ Insert collecting tray in Drainer hook

Pull Out Shelf Cargo Series

► For Kitchen



Pull Out Shelf Cargo Series



- Functional and visually pleasing alternative to wooden shelves, in kitchen
- Can be mounted with Telescopic Et Quadro runners
- Available in three standard carcass widths- 600, 750 Et 900 mm
- Height of moving shelf 41 mm
- Loading capacity 30-40 kg
- Finish: Chrome Plated
- Made of stainless steel wire

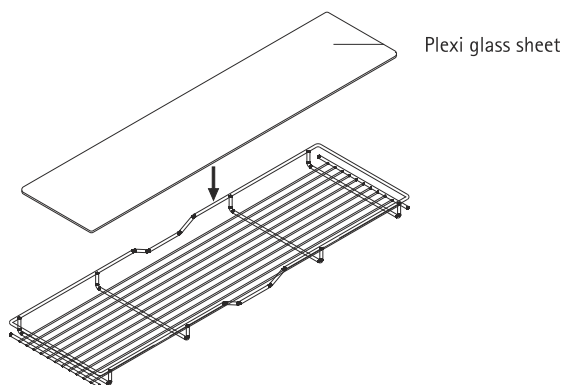
Description	Unit	Article no.	PU
W 536 mm x D 250 mm x H 41 mm	Pc	9 209 343	2
536 (Plastic bottom)	Pc	9 213 053	1
W 686 mm x D 250 mm x H 41 mm	Pc	9 210 437	2
686 (Plastic bottom)	Pc	9 213 058	1
W 836 mm x D 250 mm x H 41 mm	Pc	9 209 346	2
836 (Plastic bottom)	Pc	9 213 062	1

Product details:



For External carcass width (18 mm side panel thk.)	Pull Out Shelf width
600 mm	536 mm
750 mm	686 mm
900 mm	836 mm

PS: Kindly order desired runners separately.
Optional Plexi glass sheet for bottom.





Features

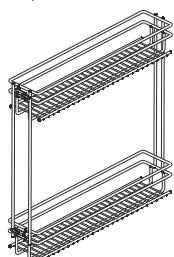


- ▶ Convenience of modular concept
- ▶ Available for three different cabinet widths
- ▶ Combines convenience with unmatched running action stability and strength
- ▶ Compatible with Quadro and Telescopic runners
- ▶ Loading capacity 22.5-30 kg with telescopic runner & 15-20 kg with Quadro runner
- ▶ Now available with plastic bottom section
- ▶ Sturdy stainless steel wire basket structure
- ▶ Can be mounted to the right, left or diagonally (for 300 mm only diagonally)
- ▶ Front panel precise adjustment with fascia parts
- ▶ Finish: Chrome plated
- ▶ Made of stainless steel wire

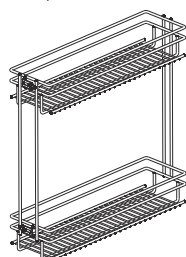
Description	Unit	Article no.	PU
For 150 mm	Pc	9 161 045	4
Plastic bottom for 150 mm	Pc	9 197 059	2
For 200 mm	Pc	9 161 046	3
Plastic bottom for 200 mm	Pc	9 197 060	2
For 300 mm	Pc	9 161 047	2
Plastic bottom for 300 mm	Pc	9 197 131	2

Product details:

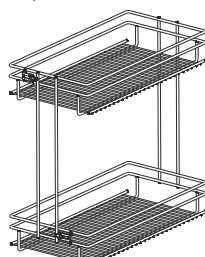
A) 150 mm



B) 200 mm

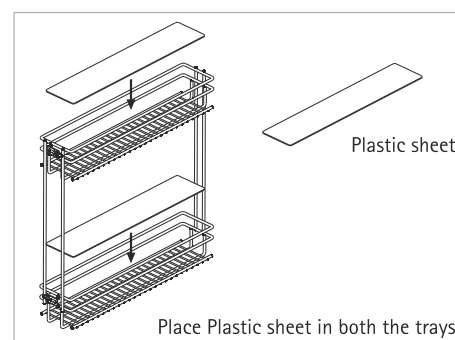


C) 300 mm



Size	150 mm	200 mm	300 mm
Weight capacity (Telescopic)	22.5 kg	26.25 kg	30 kg
Weight capacity (Quadro)	15 kg	17.5 kg	20 kg
Internal carcass dimension	W:112 mm D: 515 mm H: 590 mm	W:162 mm D: 515 mm H: 590 mm	W:262 mm D: 515 mm H: 590 mm

Installation:



Note: C/c distance is 374 mm & first hole marking is 37 mm from the carcass face.

PS: Kindly order desired runners separately.

For 150 mm & 200 mm width prefer Single side mounting with Quadro/ KA runner

For 300 mm width it is advisable to have Double side mounting with Quadro/ KA runner



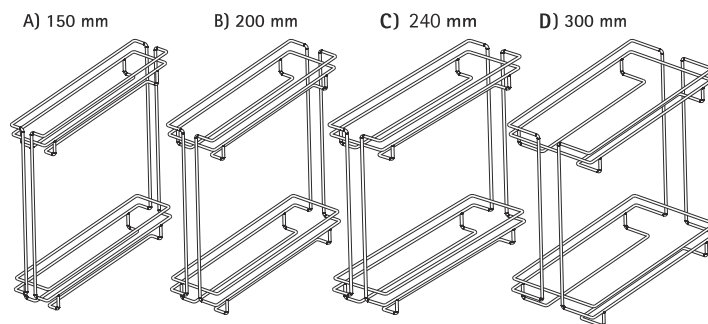
Features



- ▶ Unique sleek solid looking stainless steel wire basket structure, with convenience of modular concept
- ▶ Both layers with acrylic plastic sheet makes it visually appealing and sturdy
- ▶ Available for four different cabinet widths
- ▶ Combines convenience with unmatched running action, stability & strength
- ▶ Compatible with telescopic runners only
- ▶ Loading capacity 22.5 to 30 kg with KA telescopic runner
- ▶ Can be mounted to the right, left or diagonally (200, 240 & 300 only)
- ▶ Front panel precise adjustment with fascia parts
- ▶ Finish : Chrome Plated
- ▶ Made of stainless steel wire

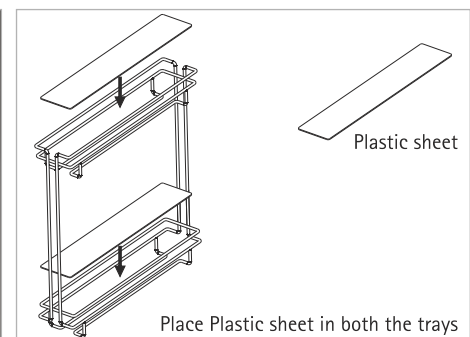
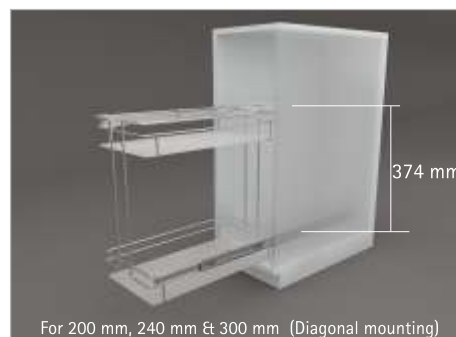
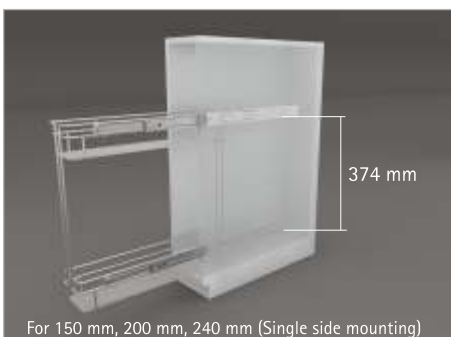
Description	Unit	Article no.	PU
For 150 mm	Set	9 191 703	4
For 200 mm	Set	9 191 708	3
For 240 mm	Set	9 247 908	2
For 300 mm	Set	9 191 711	2

Product details:



Size	150 mm	200 mm	240 mm	300 mm
Weight capacity	22.5 kg	26.25 kg	30 kg	30 kg
Internal carcass dimension	W:112 mm D: 515 mm H: 590 mm	W:162 mm D: 515 mm H: 590 mm	W: 204 mm D: 515 mm H: 590 mm	W:262 mm D: 515 mm H: 590 mm

Installation:



Note: C/c distance is 374 mm & first hole marking is 37 mm from the carcass face.

PS: Kindly order desired runners separately.

Spice Pull Out Cargo Series

▶ 3-tier Spice Pull Out



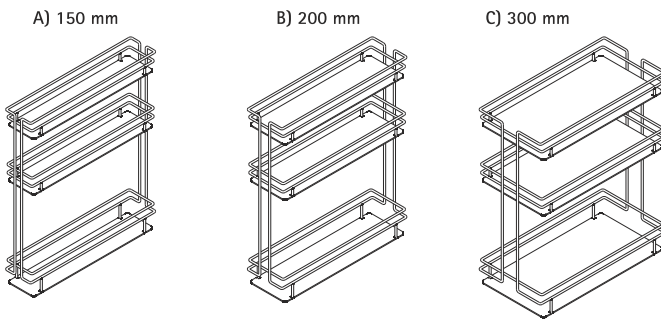
Features



- ▶ Unique sleek solid looking stainless steel wire basket structure, with convenience of modular concept
- ▶ Lowest shelf can accommodate bottles also
- ▶ All layers with acrylic plastic sheet makes it visually appealing and sturdy
- ▶ Available for three different cabinet widths
- ▶ Combines convenience with unmatched running action, stability & strength
- ▶ Compatible with Telescopic runners only
- ▶ Loading capacity 22.5 to 30 kg with KA telescopic runner
- ▶ Can be mounted to the right, left or diagonally (200 & 300 only)
- ▶ Front panel precise adjustment with fascia parts
- ▶ Finish : Chrome Plated
- ▶ Made of stainless steel wire

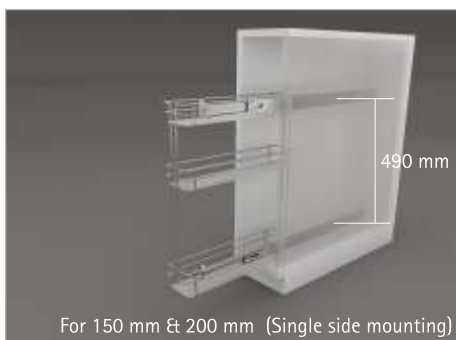
Description	Unit	Article no.	PU
For 150 mm	Set	9 210 439	4
For 200 mm	Set	9 210 441	3
For 300 mm	Set	9 210 442	2

Product details:



Size	150 mm	200 mm	300 mm
Weight capacity	22.5 kg	26.25 kg	30 kg
Intenal carcass dimension	W:112 mm D: 515 mm H: 675 mm	W:162 mm D: 515 mm H: 675 mm	W:262 mm D: 515 mm H: 675 mm

Installation:



Note: C/c distance is 490 mm.

PS: Kindly order desired runners separately.



Cargo Portable Dish Drainer



- ▶ Convenience of modular concept
- ▶ Can hold 5 Thali & 9 Plates
- ▶ Bottom mesh for holding utensils like spoons, forks, cups, bowls, glass, knives etc.
- ▶ Unique PVC collection tray
- ▶ Unique slotted plastic bottom for water draining
- ▶ Order PVC Tray & Plastic bottom separately
- ▶ Width 505 mm / Depth 340 mm / Height 330 mm
- ▶ Finish- Chrome Plated



Collecting Cargo PVC Tray 600mm



- ▶ Optional PVC tray for water collecting
- ▶ Width 540 mm / Depth 270 mm / Height 25 mm
- ▶ Finish- Silver Plastic

Acrylic sheet Portable Drainer



- ▶ Optional slotted plastic bottom for water draining
- ▶ Width 445 mm / Depth 230 mm / Thickness 3 mm
- ▶ Finish- White Plastic

S.no.	Description	Unit	Article no.	PU
1.	Cargo Portable Dish Drainer	Pc	9 267 212	1
2.	Collecting Cargo PVC Tray 600mm	Pc	9 190 453	1
3.	Acrylic sheet Portable Drainer	Pc	9 267 309	1



Features



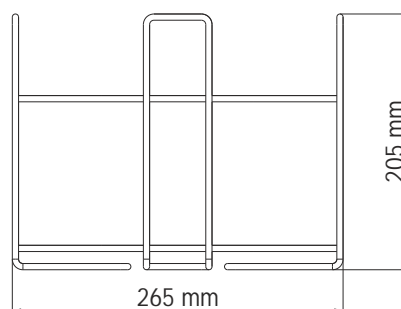
- ▶ Light weight but sturdy structure, as made of thick wire
- ▶ Easy installation, with fixing at only two points
- ▶ Disposable bags can be hung inside the frame directly
- ▶ Finish: Chrome Plated
- ▶ Made of stainless steel wire
- ▶ 10 years replacement warranty against rusting

Note

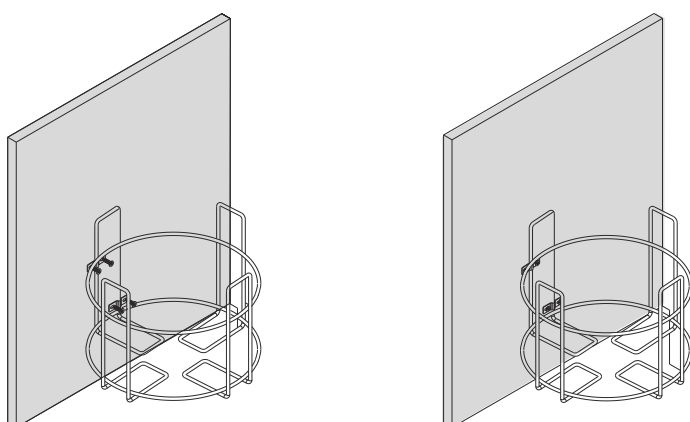
- ▶ Bins are not provided by Hettich

Description	Unit	Article no.	PU
Round Bin Holder 200 Series	Pc	9 210 444	1

Product details:



Installation:



Cargo Waste Bin Series

► Square Bin Holder



10 years replacement warranty against rusting

Features



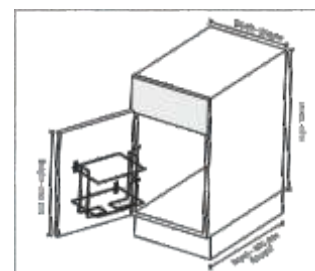
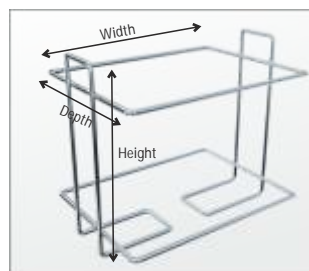
- Light weight but sturdy structure, as made of thick wire
- Major contribution in green environment management
- Finish : Chrome Plated

Technical Details

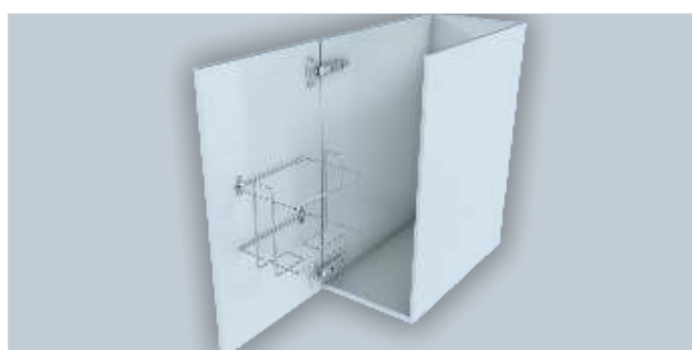
- Min required cabinet width- 350 mm
- Min. internal cabinet depth- 505 mm
- Preferable to use with Hinges 95°
- Bin capacity - 8 L
- Easy installation, with fixing at only two points

Note

- Lid is available in green & grey finish



Square Bin Holder with fascia



Description	Width x depth x height mm	Order no.	PU
Square Bin Holder	235 x 170x 205	9 269 984	Pc
8L Bin	152 x 225x 295	9 132 377	Pc
8L Lid (Grey)	152 x 225x 21	9 132 382	Pc
8L Lid (Green)	152 x 225x 21	9 132 384	Pc

Cargo Waste Bin Series

▶ Pull-Out Bin Holder W300 (Universal bin holder)



Features



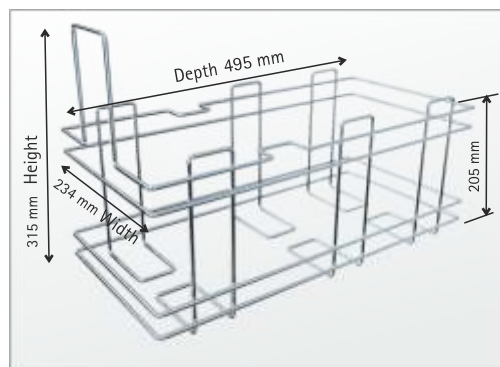
- ▶ Major contribution in green environment management
- ▶ Handle to pull out bin holder (Without shutter)
- ▶ Can be mounted with KA channels either on left or right side of the cabinet
- ▶ Finish : Chrome Plated

Technical Details

- ▶ Min. cabinet Width- 300 mm
- ▶ Min. internal cabinet depth- 505 mm
- ▶ Min. internal cabinet Height- 350 mm
- ▶ Bin capacity 3 Bins- 3x 8L (24L)
- ▶ Bin capacity 2 Bins- 1x 17L Et 1x 8L (25L)
- ▶ Front panel precise adjustment with fascia part
- ▶ Compatible with 500 mm KA telescopic runner only

Note

- ▶ Order bins & lids separately (refer page: 9)
- ▶ Order telescopic runner & clamps separately



Product details:



Description	Width x depth x height mm	Order no.	PU
Cargo Pull-Out Bin Holder W300	234 x 495 x 315	9 269 986	Pc

Cargo Waste Bin Series

► Pull-Out Bin Holder W300 Mounting Options

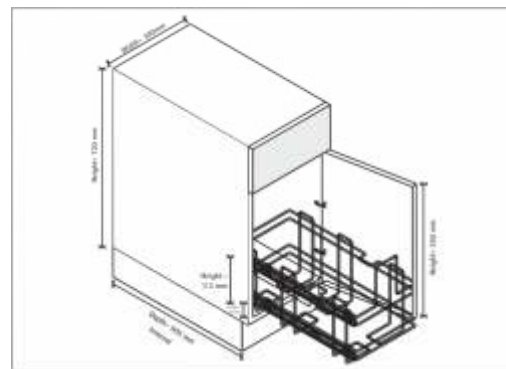


10 years replacement warranty against rusting

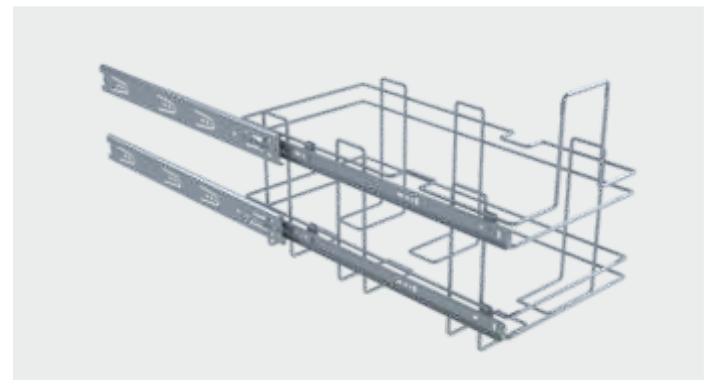
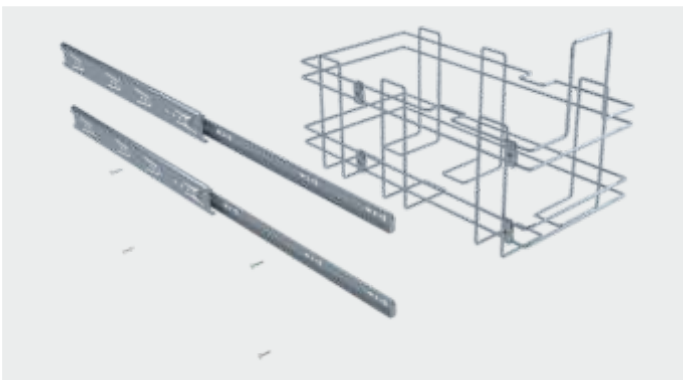
Mounting Option



► Bin Holder W300 with same side KA with Hinged Door



Waste bin W300 with KA one side mounted



Cargo Waste Bin Series

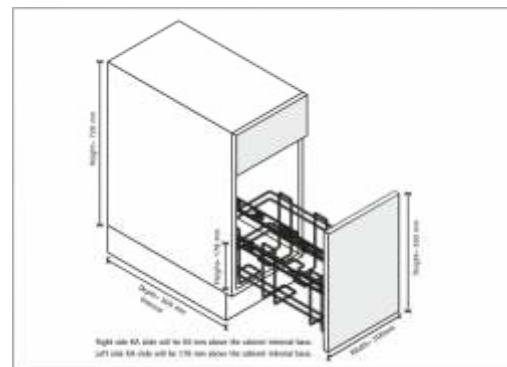
► Pull-Out Bin Holder W300 Mounting Options



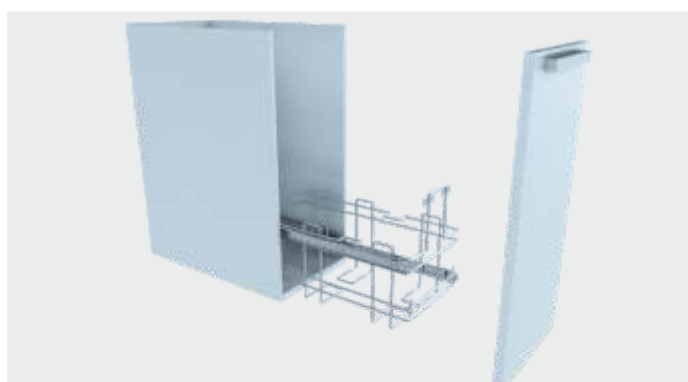
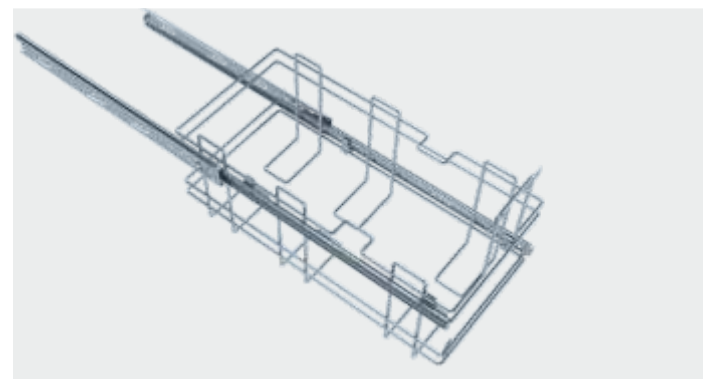
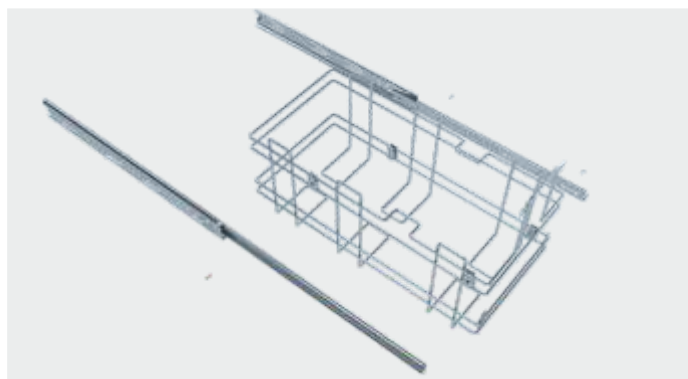
Mounting Option



► Bin Holder W300 with both side KA with shutter



Waste bin W300 with diagonal KA and fascia



Cargo Waste Bin Series

► Pull-Out Bin Holder W600 (Below Sink)



Features



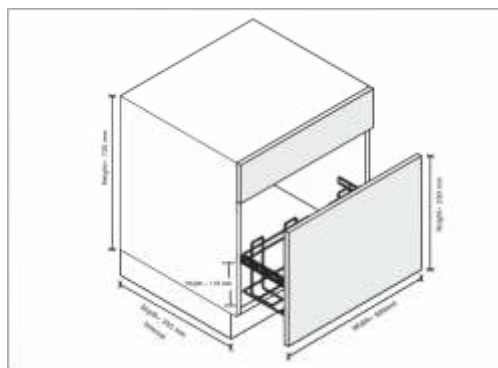
- For utilizing optimum space under the sink
- Major contribution in green environment management
- Finish : Chrome Plated

Technical Details

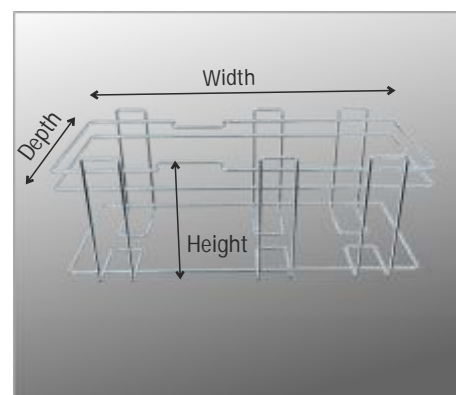
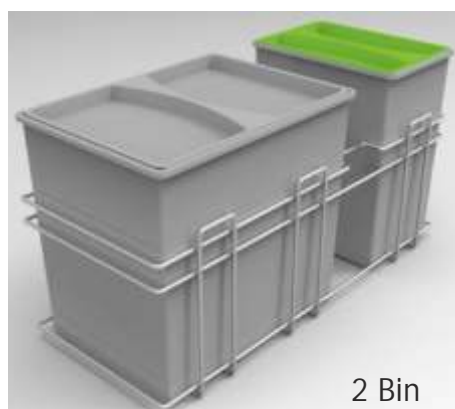
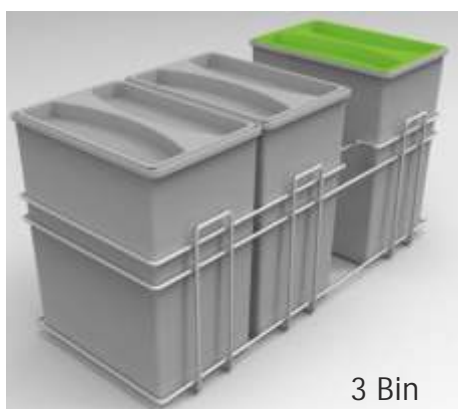
- Min. cabinet Width- 600 mm
- Min. internal cabinet depth- 355 mm
- Min. internal cabinet height - 350 mm
- Bin capacity 3 Bins- 3x 8L (24L)
- Bin capacity 2 Bins- 1x 17L & 1x 8L (25L)
- Compatible with 350 mm KA telescopic runner only
- Front panel precise adjustment with fascia part

Note:

- Order bins & lids separately (refer page: 9)
- Order telescopic runner & clamps separately



Product details:



Description	Width x depth x height mm	Order no.	PU
Cargo Pull-Out Bin Holder W600 (Below Sink)	536 x 225 x 205	9 269 985	Pc

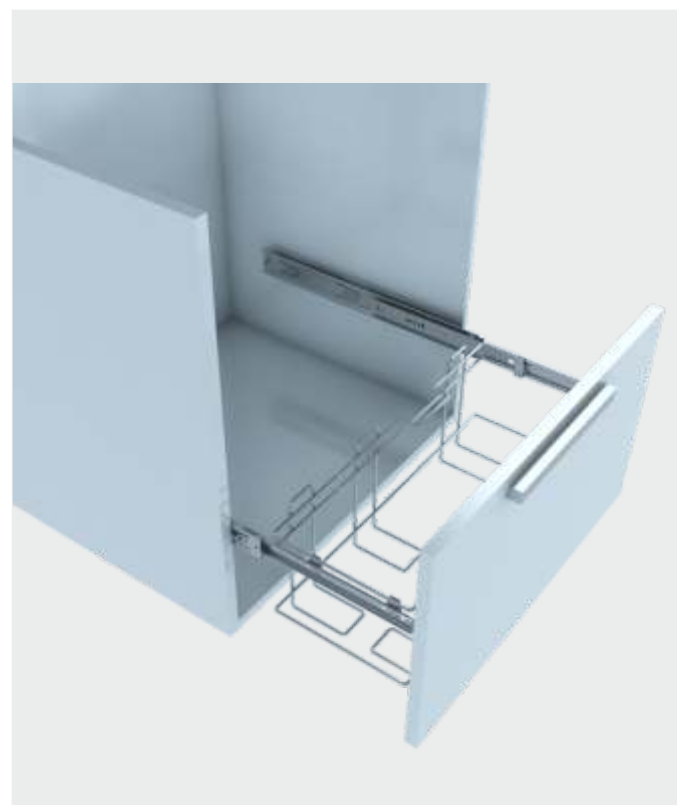
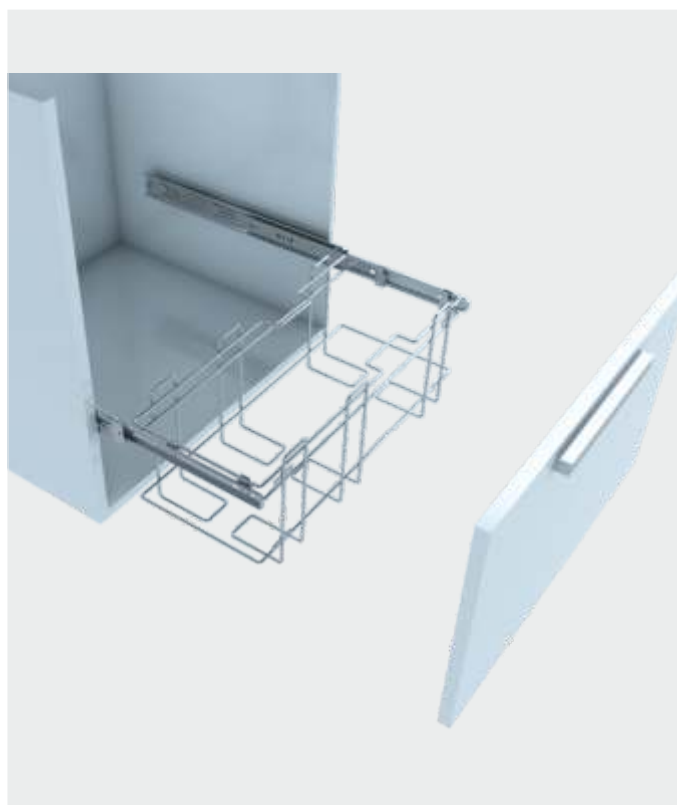
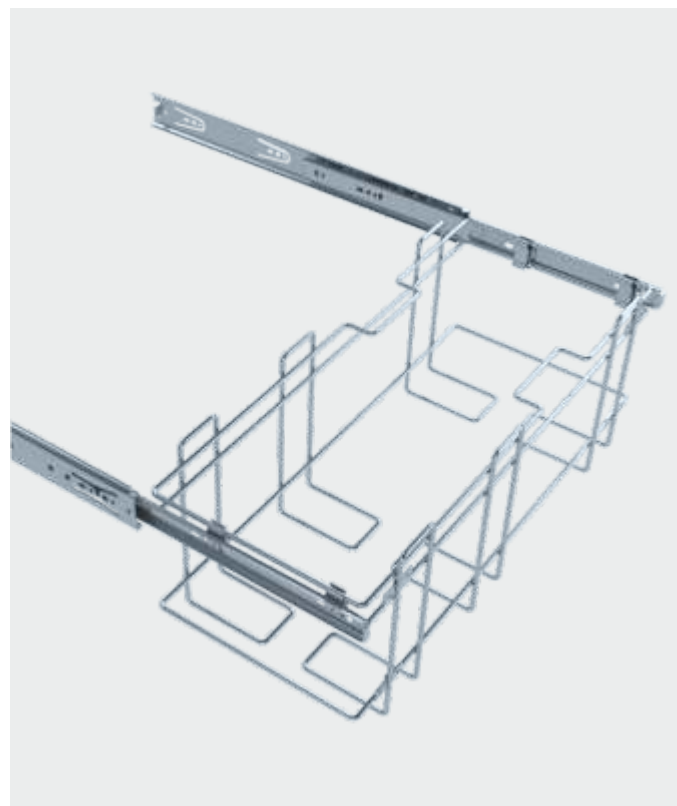
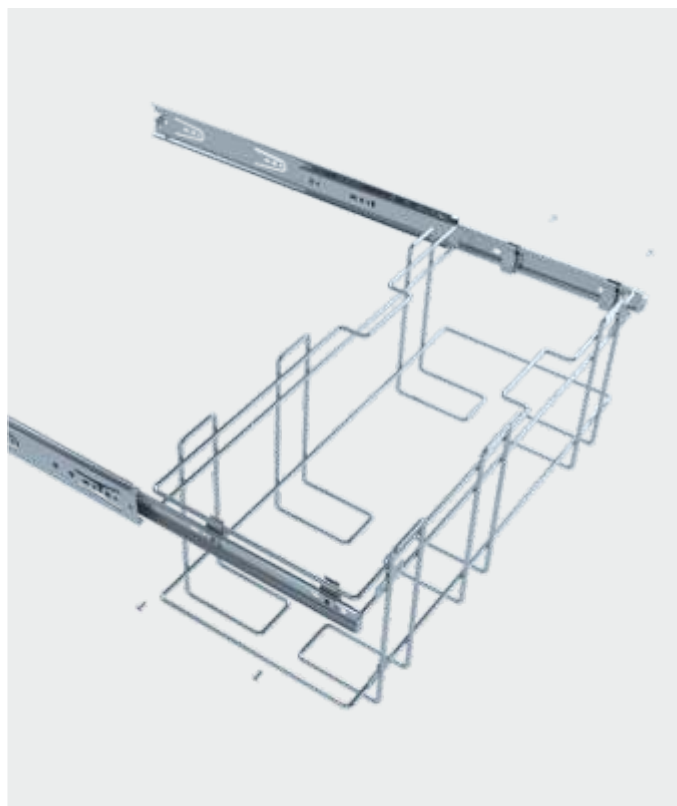
Cargo Waste Bin Series

► Pull-Out Bin Holder W600 Installations



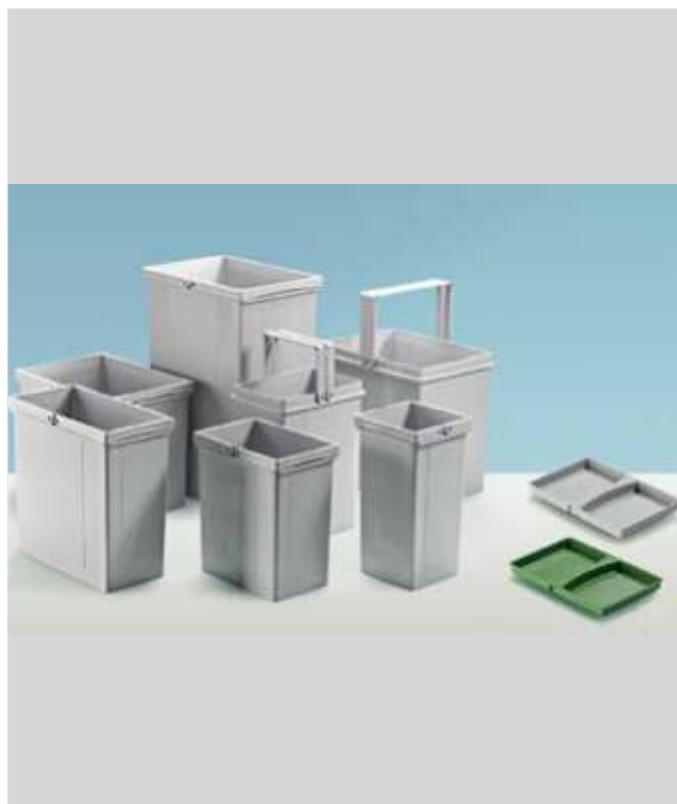
10 years replacement warranty against rusting

Waste bin W300 with 350 mm KA and fascia



Cargo Waste Bin Series

► Bin & Lid Details



- Plastic bin with sturdy double handle
- As standard, all bins are supplied without lid
- Lids must be ordered separately, see below
- The lid heights specified below are total dimensions, the additional height for all lids is 2 mm
- Colour
 - Bin: Grey
 - Lid: Grey & Green
- Bin Capacity : 8L & 17 L

Bin

Article	Material / Finish	Width mm	Depth mm	Height mm	Order no.	PU
Bin 8L	Plastic/grey	152	225	295	9 132 377	1 ea.
Bin 17L	Plastic/grey	225	304	295	9 132 380	1 ea.

Lid

Article	Material / Finish	Width mm	Depth mm	Height mm	Order no.	PU
Lid 8L	Plastic/grey	152	225	21	9 132 382	1 ea.
Lid 8L	Plastic/green	225	304	21	9 132 384	1 ea.
Lid 17L	Plastic/grey	225	304	21	9 132 386	1 ea.



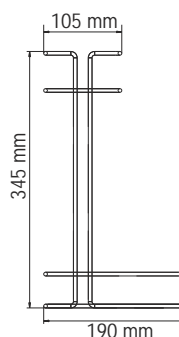
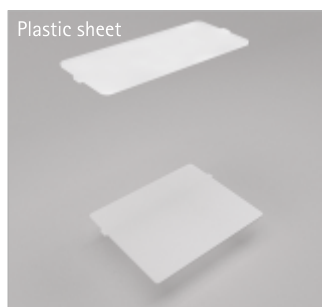
Detergent Holder Cargo Series



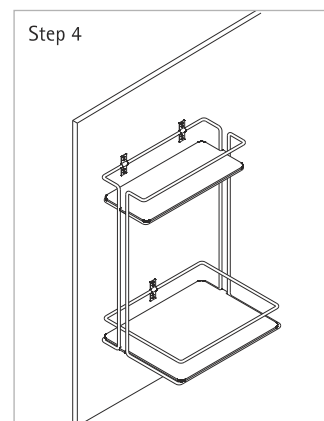
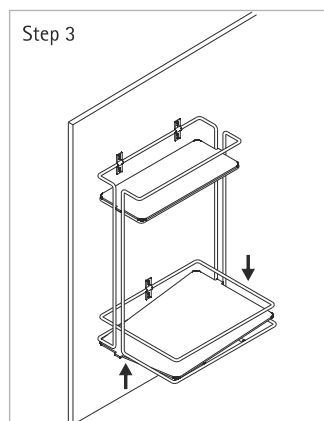
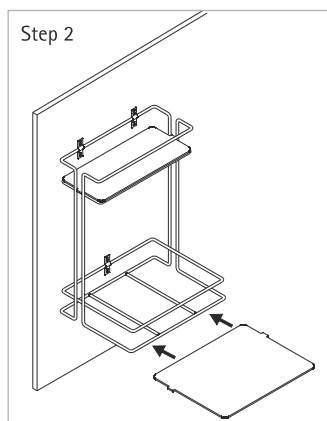
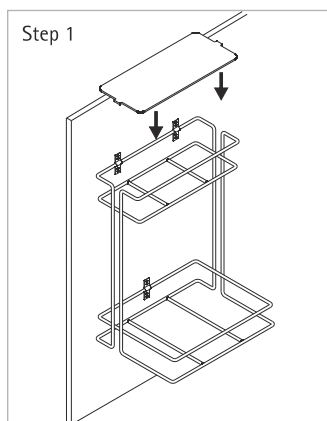
- ▶ Unique Plastic sheet to avoid spillages and any damages to wire due to detergents / chemicals kept
- ▶ Material kept more stable as plastic sheet plain surface compared to wire mesh
- ▶ Light weight but sturdy structure, as made of thick wire
- ▶ Bigger shelves to accommodate various bottle sizes
- ▶ Easy installation, with fixing at only three points
- ▶ Finish: Chrome Plated
- ▶ Made of stainless steel wire
- ▶ Recommended shutter width 450 mm

Description	Unit	Article no.	PU
Detergent Holder Cargo Series	Pc	9 197 058	1

Product details:



Installation:





Cylinder Trolley



- ▶ Light weight but sturdy
- ▶ Smooth motion with castors
- ▶ Locking mechanism in two castors, for stability
- ▶ Can easily take load of filled gas cylinder
- ▶ Low height for easy loading of cylinder
- ▶ Finish: Chrome Plated
- ▶ Made of stainless steel wire

Description	Unit	Article no.	PU
Cylinder Trolley	Pc	9 210 445	1



Registered & Head Office:
Hettich India Private Limited
 302, Duro-lite House,
 Opp. SAB TV, New Link Road,
 Andheri (West), Mumbai - 400 053
 Phone: +91 22 2674 3289/3356/4089
 Fax: +91 22 2674 3267

Delhi Office:
Hettich India Private Limited
 A-26/4, 1st floor,
 Mohan Co-operative Industrial Estate,
 New Delhi - 110 044
 Phone: +91 11 4889 4000, 4889 4005
 Fax: +91 11 4889 4044

Vadodara Factory:
 Plot No. 304, Dhanora,
 Nandesari Road,
 Near ECPL,
 Village - Dhanora - 391 346
 Dist. - Vadodara
 Tel: + 91 26 5656 9003

Application Centres:

New Delhi:
 61, Panchkuian Road,
 New Delhi - 110 001
 Ph. No. : +91 11 2358 0713,
 +91 11 2358 4603

Kolkata:
 2nd Floor, Unit Number 2A,
 Tirumala 22,
 East Topsia Road,
 Kolkata - 700 046
 Ph. No. : +91 98310 12054

Bangalore:
 Adventz Center, Ground Floor 28,
 Cubbon Road, Shivaji Nagar,
 Bangalore - 560 001
 Ph. No. : +91 80 4530 0400,
 +91 80 4530 0401

Indore:
 Office No.106 and 107-A,
 "Brilliant Titanium",
 Plot No.9, Scheme No.78, Part-II,
 Indore - 452 010
 Ph. No. : +91 96 9168 4480

Training Center Address:

Hettich Poddar Wood Work Institute
 Plot No.2, 1st Floor, DLF Industrial Estate-1
 Near NHPC Metro Station,
 Faridabad- Haryana
 Ph: +91 129 4203888
 Email: info@hpwwi.com

Mumbai:
 202, Duro-lite House, Opp. SAB TV,
 New Link Road, Andheri (West),
 Mumbai - 400 053
 Ph.No. : +91 22 2639 9707

Hyderabad:
 " Sai Krishna "
 797 - A, 2nd Floor,
 Road No. 36, Jubilee Hills,
 Hyderabad - 500 034
 Ph. No. :+91 40 2355 8994

Kochi:
 41/2062D, 2nd Floor
 Palarivattom signal
 junction, NH 47 By-pass,
 Kochi - 682 028
 Ph. No. : +91 48 4402 8242

Enquiry & Customer Services
 Toll Free : 1800 209 2096 (office hours)
 Email: sales_enquiry@in.hettich.com
 customer_services@in.hettich.com
 www.hettich.com

Chennai:
 "Heavitree", Ground Floor,
 47, Spur Tank Road,
 Chetpet, Chennai - 600 031
 Ph. No. : +91 44 4263 7227

Ahmedabad:
 1st Floor, Unit No. 102,
 Safal Pegasus,
 Anand Nagar,
 Ahmedabad - 380 015,
 Ph. No. : +91 79 4032 2824

Chandigarh:
 2nd Floor, Aspire Tower,
 Plot no. 55, Industrial
 & Business park, Phase 1,
 Chandigarh - 160 002
 Ph. No. : +91 172 5012 347

Technik für Möbel



Hettich