



On the cutting edge:
InnoTech Atira drawer system

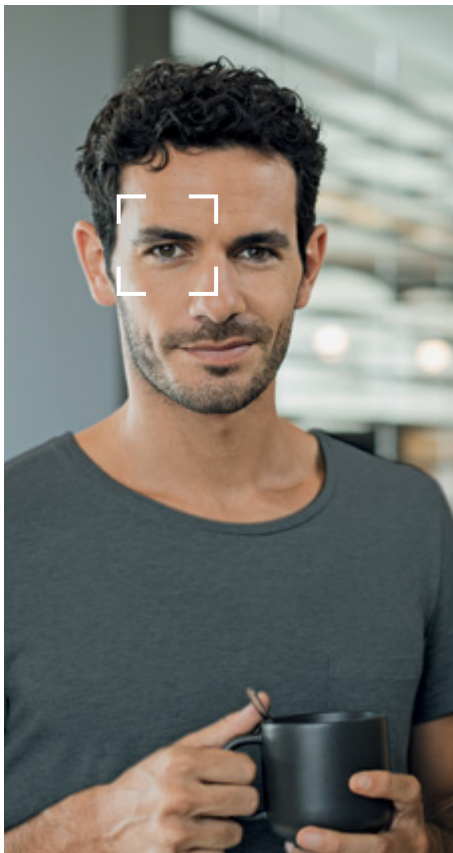
Key aspects at a glance

On the cutting edge: InnoTech Atira

InnoTech Atira is the drawer system for individualists. Its clean, defined contours are a charismatic design statement in the kitchen and in all living areas:

- ▶ Striking, versatile and flexible
- ▶ Attractive variety of colours
- ▶ Various add on elements create attractive design features
- ▶ Modular solution for individually tailored interior organisation

Show that you have the edge – with the exceptional Atira drawer system.

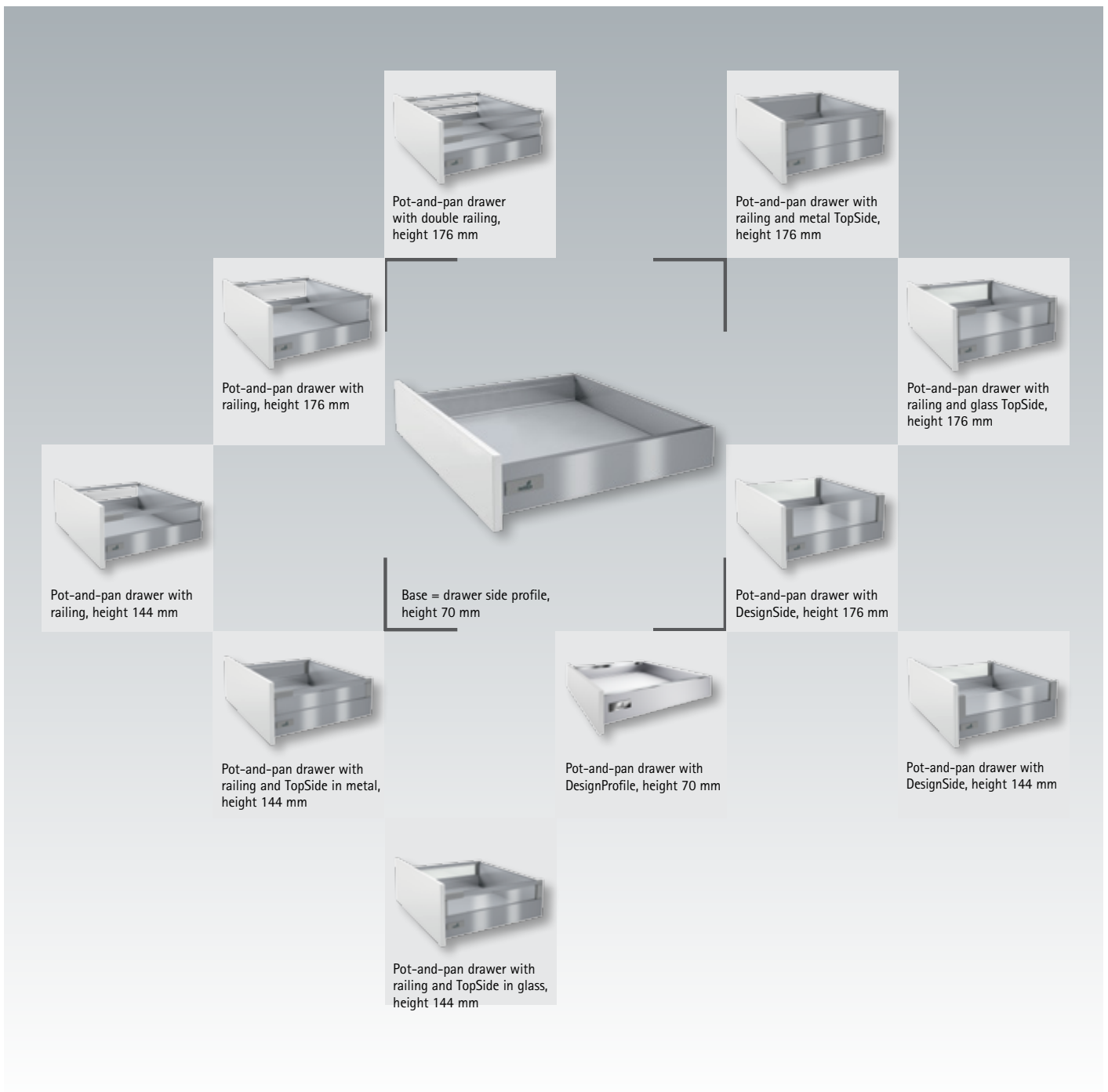


One drawer side profile for all options: InnoTech Atira platform concept

Would you like to be on the market with a broad range of furniture? And yet still produce in a lean and cost efficient manner? If so, InnoTech Atira is the perfect drawer system for you. Because all drawer and pull-out versions are based on one single drawer side profile. Low complexity makes InnoTech Atira particularly cost effective:

- ▶ Lean, flexible production
- ▶ Low costs in production and stock keeping
- ▶ Broad product range, thousands of ways to differentiate

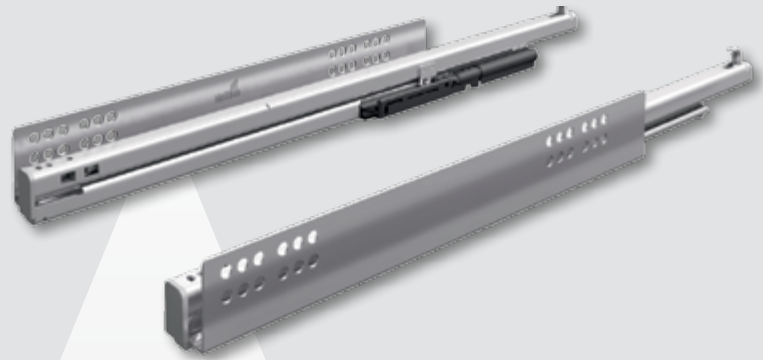
The InnoTech Atira platform concept gives you an infinite choice of functionality and design options in return for little cost and effort.



50 kg

Full extension runner

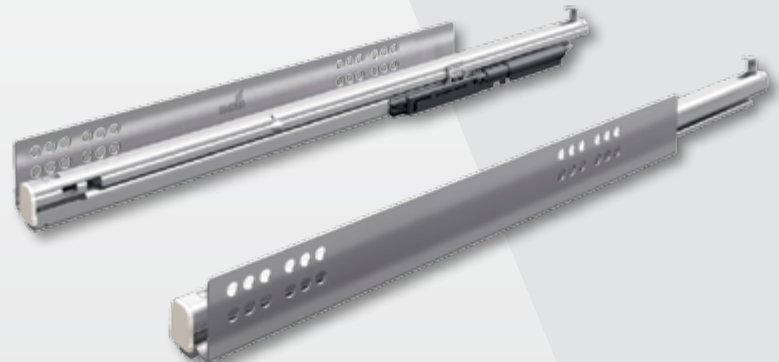
Quadro V6 for Push to open Silent
Quadro V6+ with Push to open
Quadro V6+ with Silent System



30kg

Full extension runner

Quadro V6 for Push to open Silent
Quadro V6 with Push to open
Quadro V6 with Silent System



25 kg

Partial extension runner

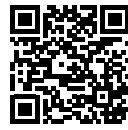
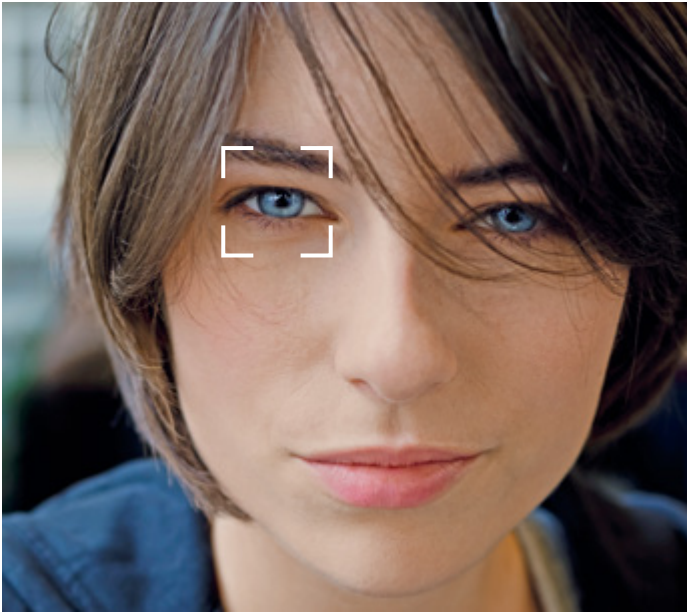
Quadro 25 with Silent System
Quadro 25 with Stop Control





Striking design. More options:
InnoTech Atira design flexibility



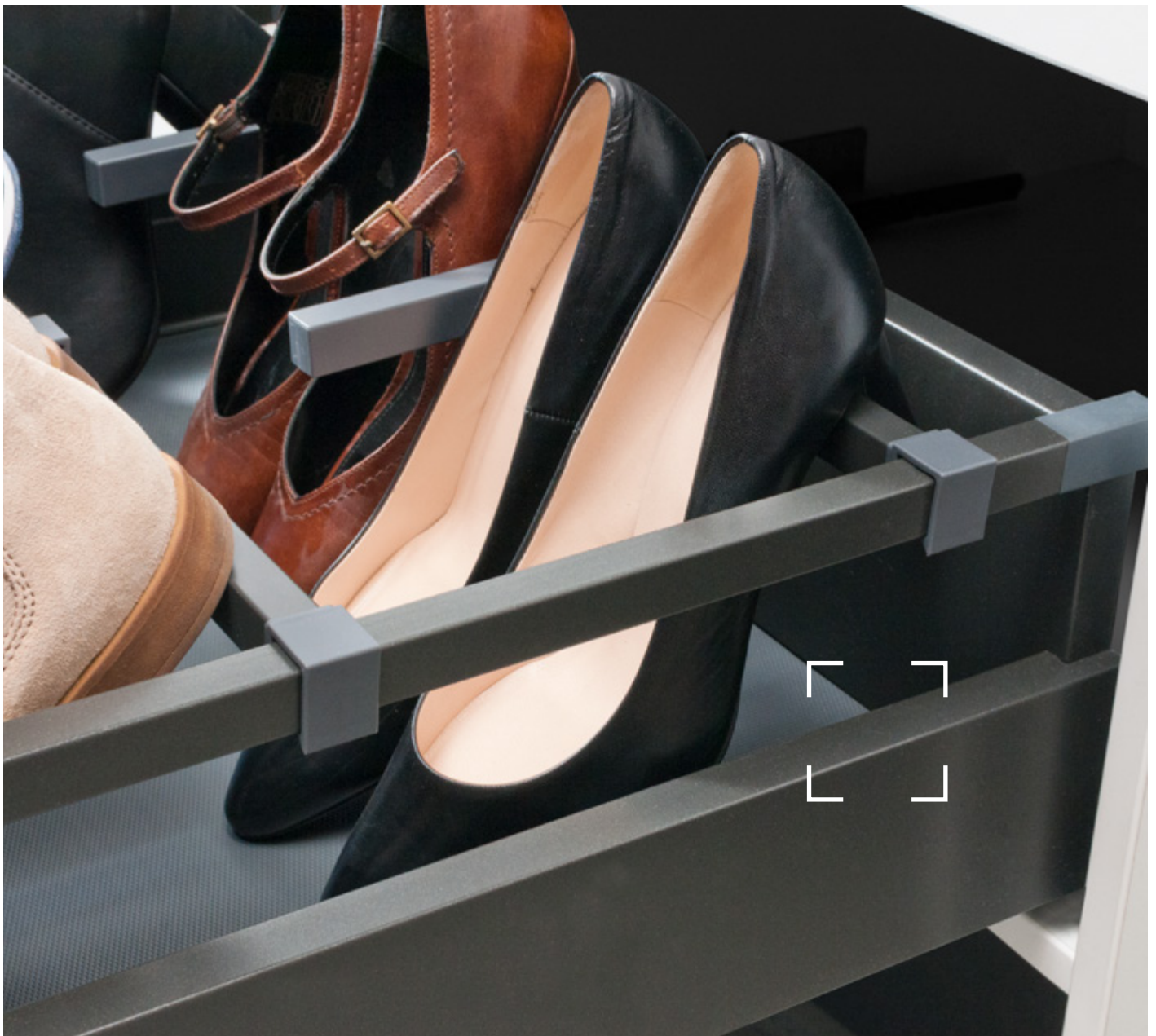
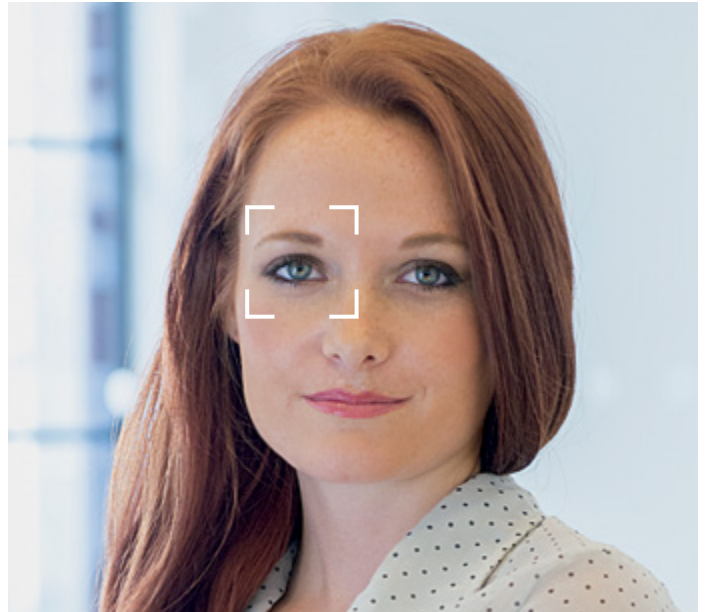


To the InnoTech Atira film:
<https://www.hettich.com/short/73d00d>



Versatile and flexible: InnoTech Atira interior organisation

- ▶ Outside: clean cut lines
- ▶ Inside: clear structure
- ▶ Practical details and functions
- ▶ Perfect organisation and use of storage space





Boundless potential for differentiation: InnoTech Atira system based range

drawer side profile height

70 mm

176 mm



Rear panel heights

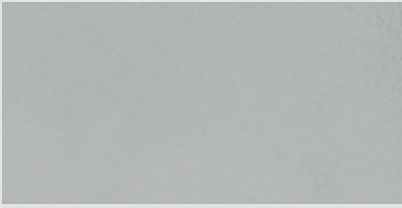
144 mm



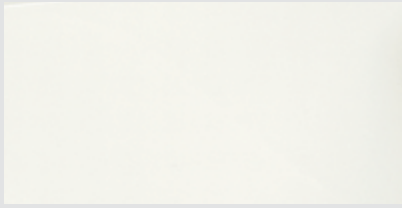
70 mm



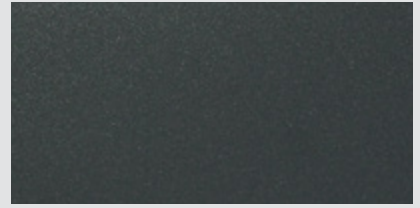
Surface colours



silver

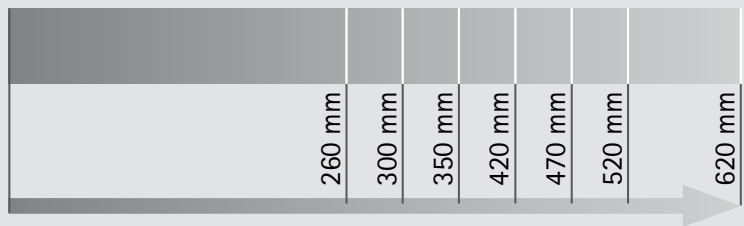
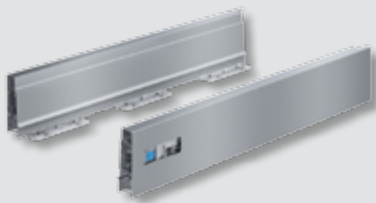


white

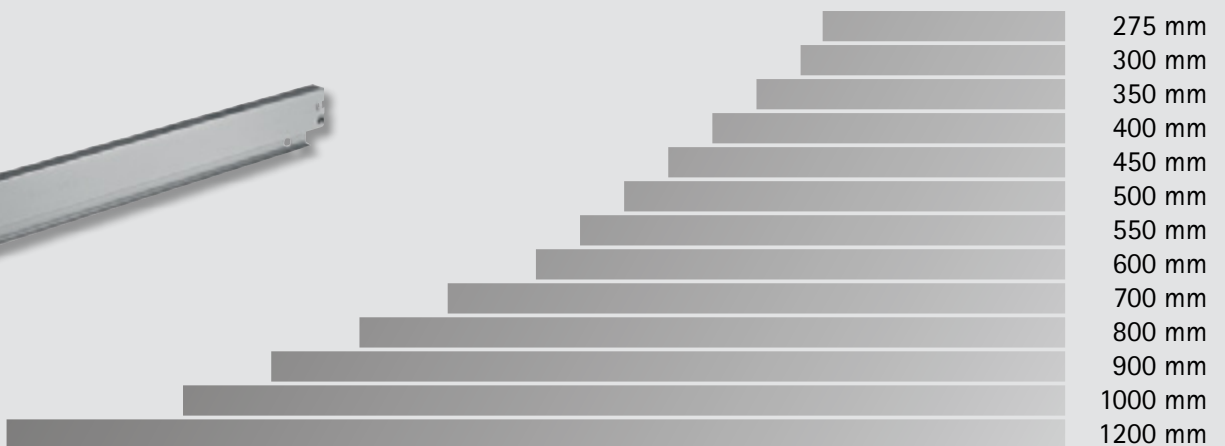
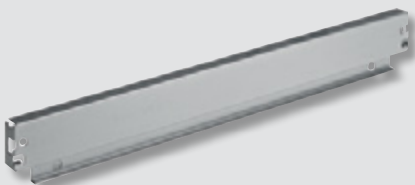


anthracite

Drawer side profile lengths



Carcase widths



25 kg

30kg

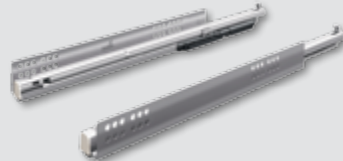
50 kg

Partial extension runner



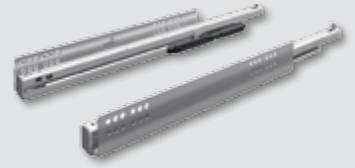
Quadro 25 with Silent System
Quadro 25 with Stop Control

Full extension runner



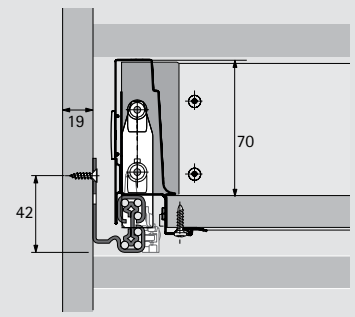
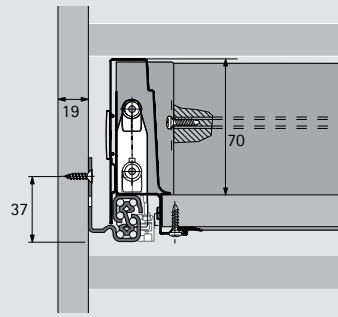
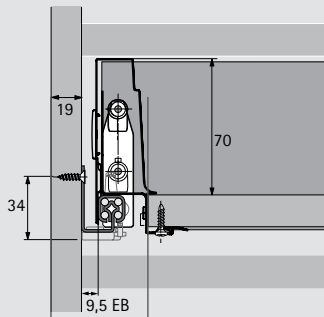
Quadro V6 for Push to open Silent
Quadro V6 with Silent System
Quadro V6 with Push to open

Full extension runner

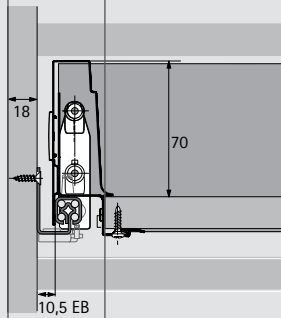


Quadro V6+ for Push to open Silent
Quadro V6+ with Silent System
Quadro V6+ with Push to open

KD 19

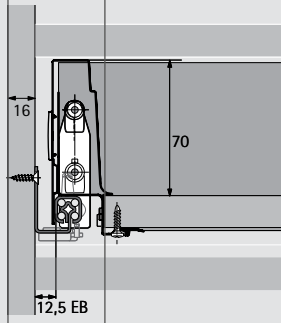


KD 18



- Runners in three load categories: 25, 30 and 50 kg
- No need to alter drawer dimensions for different carcase side thicknesses (KD)
- Railing holes already provided in the front panel can be used for DesignSide and TopSide

KD 16

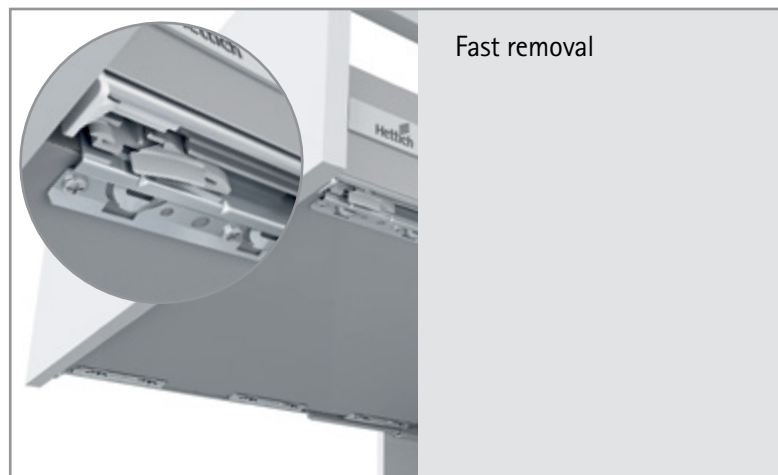
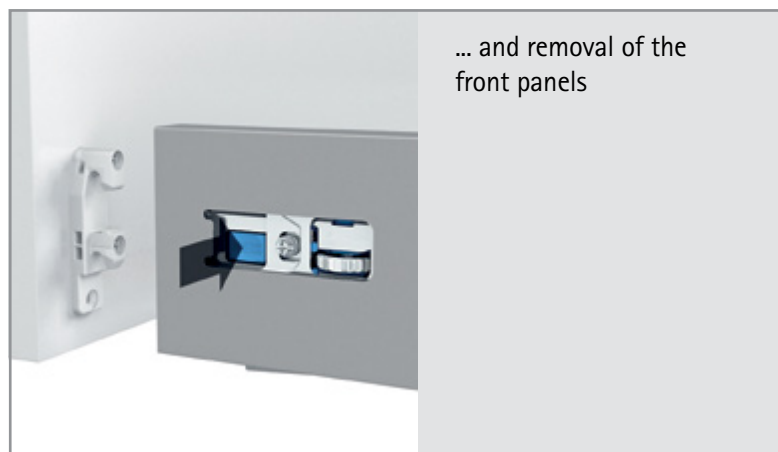
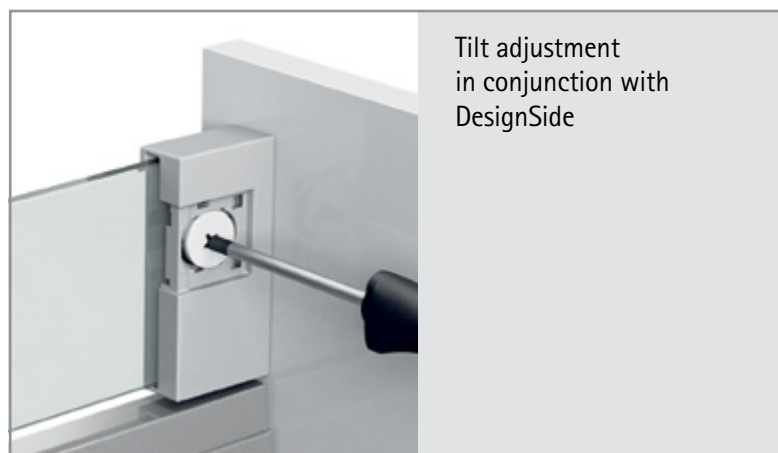
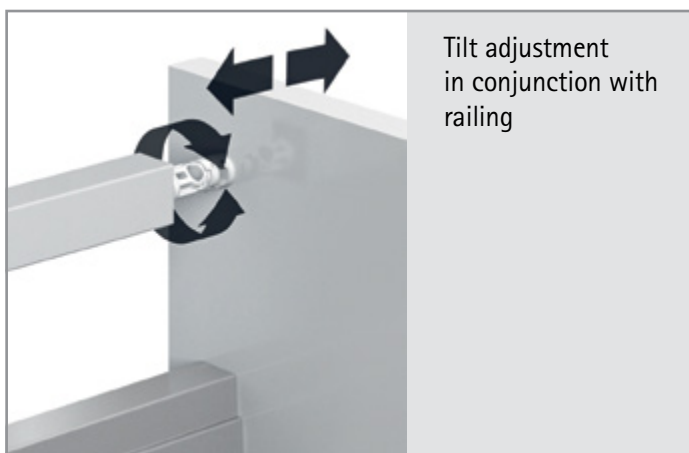
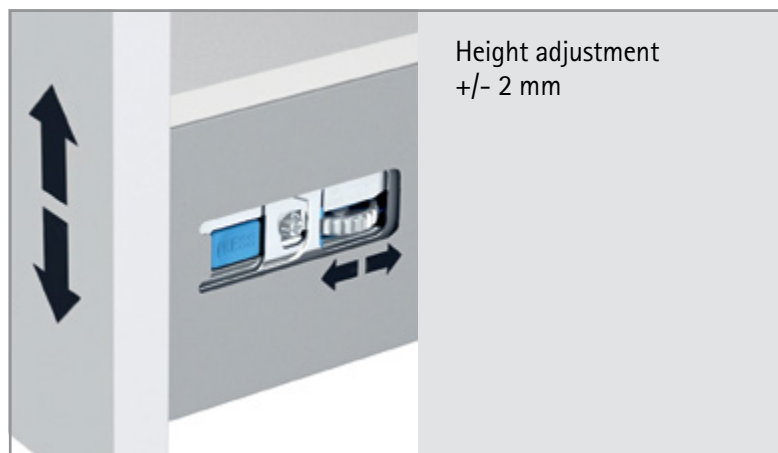
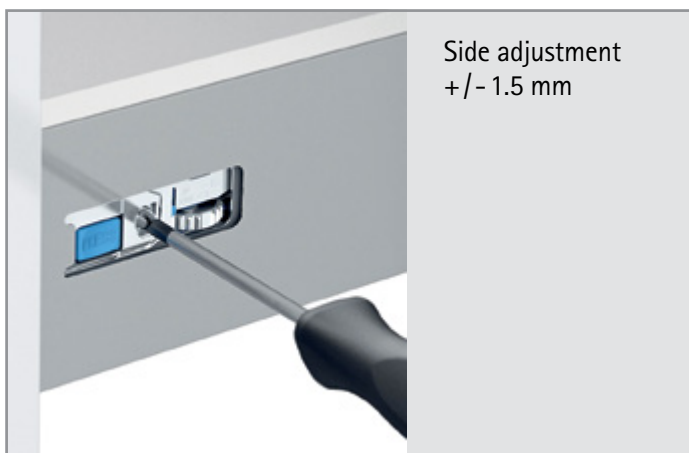








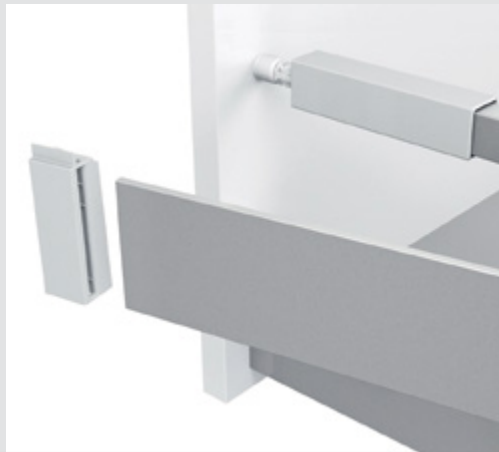
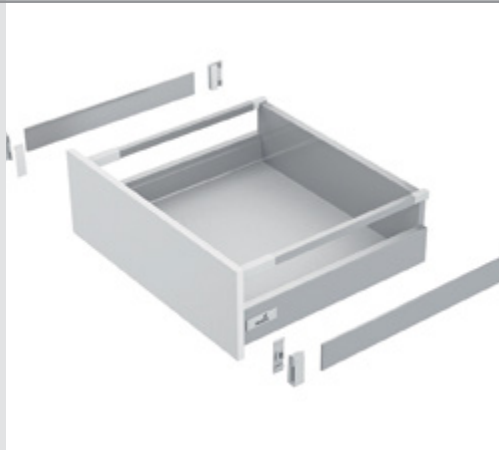
Convenience from the word go: Assembling and adjusting InnoTech Aтира



Change designs with minimum effort: InnoTech Atira

TopSide under the railing Installation/removal

- Push back railing adapter
- Hook rear TopSide adapter onto rear panel
- Slide in TopSide
- Push on front TopSide adapter
- Position TopSide underneath the railing and fix in place by means of clip
- Move railing adapter up to the front panel



- DesignSide fits into existing front panel drill hole
- Screw in drawer front connector
- Position DesignSide between drawer front connector and rear panel
- Slide in clip on rear panel and snap in



Accessories and add ons: InnoTech Atira



Mechanical opening system **Push to open**

- Opening in response to a light press
- For handleless furniture design and practical convenience
- Easy assembly without additional components. Only the runner is replaced.
- Synchronisation for reliable activation

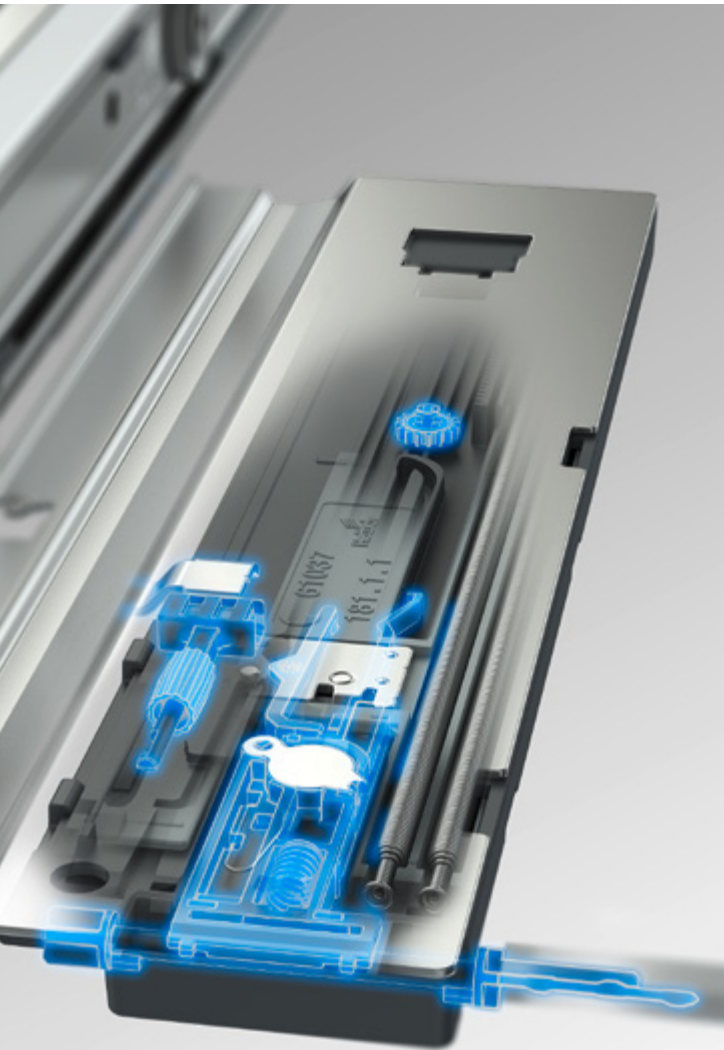


Reliable activation

Handleless drawer fronts are reliably activated thanks to synchronisation, even in response to pressing on the edges of large front panels.

Feature large format fronts

Multisynchronisation easily activates large front panels extending across two drawers. All it takes is a light press at any point on the front panel.



Mechanical opening system
Push to open Silent

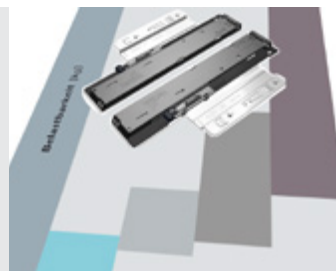
- Opens without handles, closes with Silent System
- Quiet and strong performance
- Intuitive in use
- Easy to plan, even for low drawer weight
- If the drawer is pushed in too slowly, Push to open Silent stores the energy to assist closure
- Synchronisation for reliable activation
- For use with any nominal length
- Easily planned
- Can be clipped on without tools
- Suitable for all InnoTech Atira, ArciTech, AvanTech drawer systems and Quadro 4D, Actro 5D drawer runners



To the Push to open Silent flyer:
<https://www.hettich.com/short/985827>



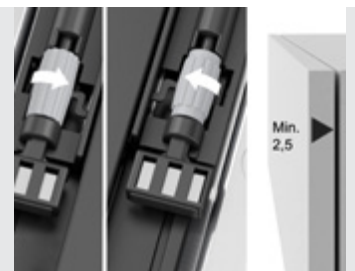
Ordering couldn't be easier
 Clear recommendations for the chosen type of use and drawer size make ordering incredibly easy. In the online configurator, for example.



Planning certainty
 You will find it easy to select the right Push to open units. The comprehensive, all-inclusive lineup and coverage of a wide range of weights by all available units give you certainty for the intended application.



Fast installation
 Push to open Silent simply clicks into place, in the same way as optional synchronisation. No drilling, no screws and removal is equally easy.



Precision adjustment
 The gap between front panels is easily adjusted without the need for tools. Any other adjustment? Not necessary!



Electromechanical opening system
Easys

- Gentle opening in response to a light press
- Greatest possible design flexibility
- Space saving: with shallow installed depth with no loss of storage space
- Suitable for all depths and widths
- Extremely short opening movement
- Suitable for carcasses with and without sealing lip



Easy to create
Purist, handleless design can be created with Easys Perfect for a look of perfection – also for large, heavy pull-outs.



Takes up little space
Space saving and with a shallow installed depth, the electromechanical opening system discreetly disappears behind the drawer's rear panel.



Collision prevented
An optional cable avoids collisions in face angle applications.



Versatile
Easys can be used in a variety of applications: for InnoTech, InnoTech Atira and ArciTech ... even for wooden drawers and pull-out for sink units.



Benefits at a glance: InnoTech Atira:

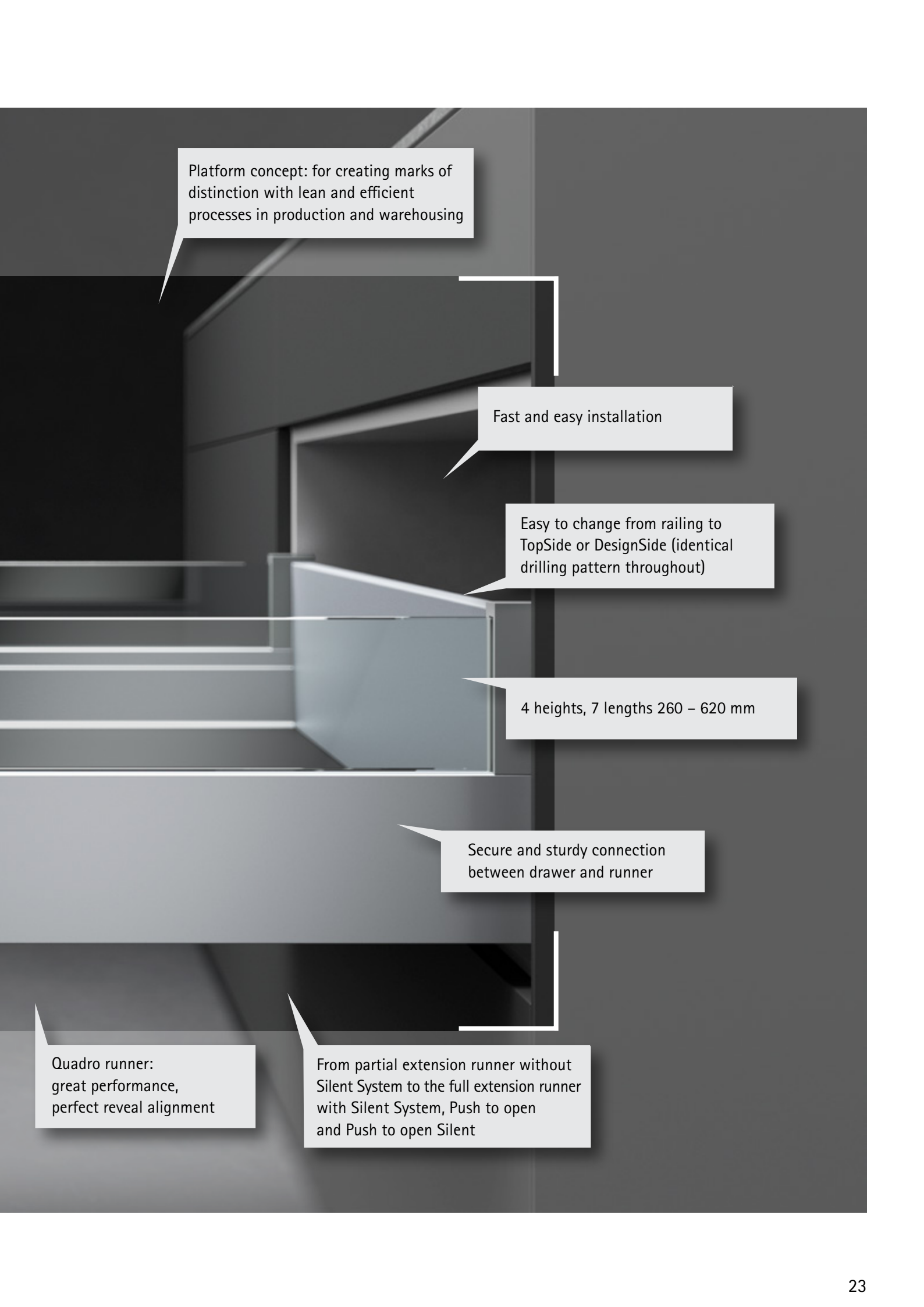
Design with clearly defined contours

Huge creative potential

Consistent colour concept with matching components

Individual design with internal front panels, designprofiles, DesignSides or TopSides below the railing

Sturdy Quadro base:
2 different drawer side profile contours on 1 runner platform



Platform concept: for creating marks of distinction with lean and efficient processes in production and warehousing

Fast and easy installation

Easy to change from railing to TopSide or DesignSide (identical drilling pattern throughout)

4 heights, 7 lengths 260 – 620 mm

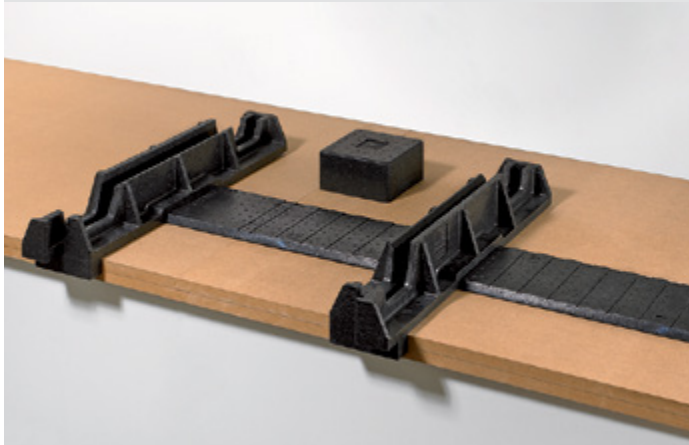
Secure and sturdy connection between drawer and runner

Quadro runner: great performance, perfect reveal alignment

From partial extension runner without Silent System to the full extension runner with Silent System, Push to open and Push to open Silent

Assembly aids:
InnoTech Atira

InnoFit 100



- Simple fixture
- Manual assembly
- Efficiency: up to 15 drawers an hour

InnoFit 200



- Sturdy frame
- Manual assembly
- Efficiency: up to 40 drawers an hour

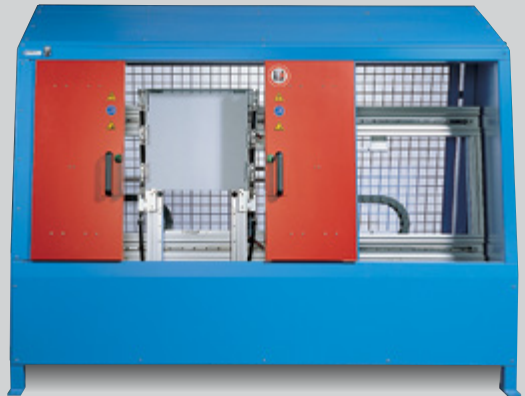
You will find further assembly aids in the latest Furniture Fittings and Applications catalogue.

InnoFit 300



- Semi automatic
- Manual component positioning
- Drawer side profile and bottom panel pressed together pneumatically
- Efficiency: up to 65 drawers an hour

InnoFit 400



- automatic assembly/installation machine
- Automatic component positioning
- Components pressed together electropneumatically
- Efficiency: up to 100 drawers an hour

www.hettich.com

Technik für Möbel

