



Steelforce desk supports



In a changing world – change to Hettich

Technik für Möbel

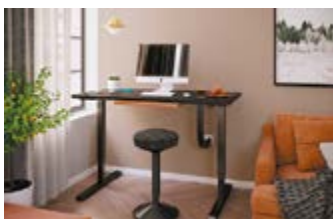

Hettich



Healthy and productive at the workplace

The height adjustable Steelforce desk support frames add dynamic to every office routine. This strengthens the body, improves the ability to concentrate and increases brain power. Homeworking in a cramped space? Our desk support frame solution with short foot extensions provides better ergonomics and comfort for small desks too. Noisy open plan offices? Our attractive felt look acoustic partitions

provide a professional solution where many desks are close together and people still need to concentrate for their work. The broad range of storage and cable management systems also guarantee a tidy, feel-good atmosphere at every work station. Whether for homeworking or the office: our systems are easy to assemble, quality finished and designed for reliable and safe permanent use.



Home working upgrade:
Space saving and economic - the Steelforce Pro series, manual or power assisted.



Great performer in the office:
The Steelforce Pro SLS series impresses with a high level of stability and clean looking design.



Ample space:
Versatile storage space and cable management solutions ensure a neat and tidy work surface.



hettich.com/short/cfafbd

Find out more:
You can get inspiration and further product details on our website.



Desk support sets

6 - 15



Cable management

16 - 24



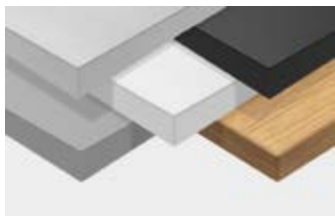
Storage space

25 - 32



Modesty panel

33



Desk tops

34 - 35



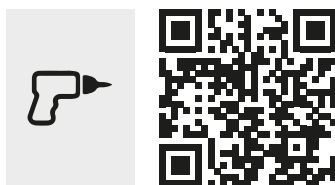
Accessories

36 - 38



Quality criteria

39






Hettich Technical Assistant

- Installation
- Adjusting
- Service

hettich.com/short/eju6gv3

Steelforce desk support

► Range summary / technical comparison

	670 / 671 / 673 / 670 Bench	570	470
			
Page	6 - 9	10	11
Drive	► Power assisted	► Power assisted	► Power assisted
Telescoping	► Double telescoping	► Single telescoping	► Double telescoping
Lifting range	► 660 mm	► 490 mm	► 660 mm
Adjustment range	► 625 - 1285 mm	► 700 - 1190 mm	► 617 - 1277 mm
Lifting capacity	► 120 kg ► Angled options: 150 kg	► 120 kg	► 120 kg
Desk support frame geometry	► Rectangular desk top ► 90° angled desk top ► 135° angled desk top ► Bench double desk top	► Rectangular desk top	► Rectangular desk top
Desk support colour	► Silver ► Black ► White	► Silver ► Black ► White	► Silver ► Black ► White
Lifting column dimension	► 60 x 90 mm	► 60 x 90 mm	► 70 x 70 mm
For desk top width	► 1200 - 2000 mm ► (other angled options)	► 1200 - 2000 mm	► 1200 - 2000 mm
For desk top depth	► 750 - 900 mm ► (other bench option)	► 750 - 900 mm	► 750 - 900 mm

Steelforce desk support

▶ Range summary / technical comparison

370	300 / 300 slim / 310 HC slim
12	13 - 15
▶ Power assisted	▶ Hand crank ▶ Power assisted
▶ Single telescoping	▶ Single telescoping
▶ 490 mm	▶ Hand crank: 480 mm ▶ Motor: 490 mm
▶ 692 - 1182 mm	▶ Hand crank: 700 - 1180 mm ▶ Motor: 690 - 1180 mm
▶ 120 kg	▶ Hand crank: 60 kg ▶ Motor: 100 kg
▶ Rectangular desk top	▶ Rectangular desk top
▶ Silver ▶ Black ▶ White	▶ Black ▶ White
▶ 70 x 70 mm	▶ Hand crank: 64 x 64 mm ▶ Motor: 60 x 60 mm
▶ 1200 - 2000 mm	▶ Hand crank: 1100 - 1600 mm ▶ Motor: 1100 - 1800 mm
▶ 750 - 900 mm	▶ 750 - 800 mm ▶ Slim options: 600 - 700 mm

Steelforce desk support

- ▶ Desk support sets
- ▶ Power assisted height adjustment

Steelforce Pro 670 SLS Highline



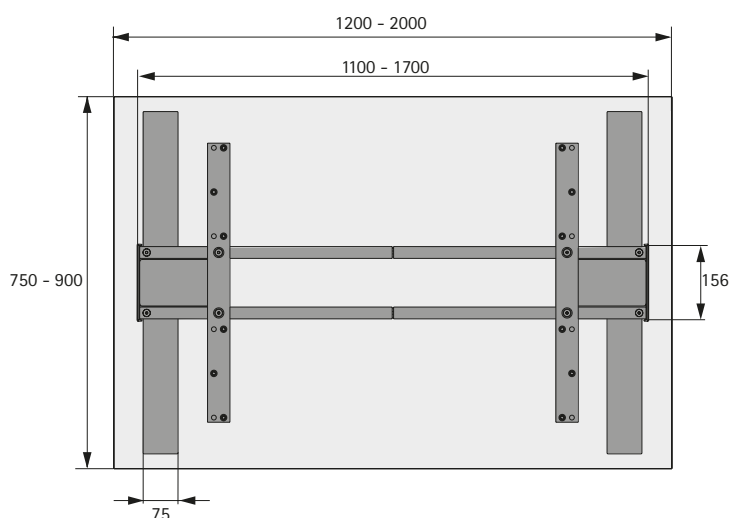
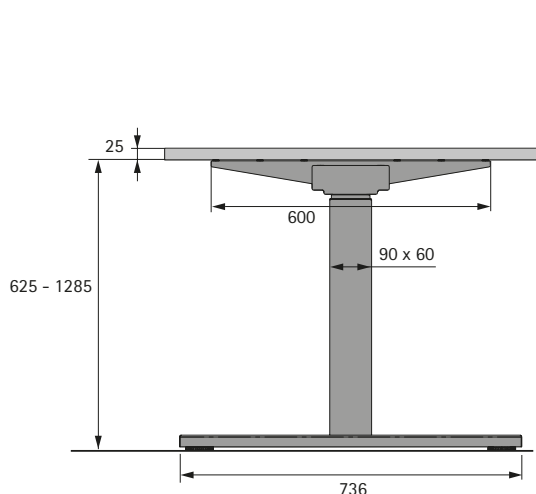
- ▶ Power assisted height adjustable desk support
- ▶ Double telescoping lifting columns, 60 x 90 mm
- ▶ For variable desk top sizes:
 - depth 750 - 900 mm
 - width 1200 - 2000 mm
- ▶ Height adjustment from 625 - 1285 mm
- ▶ Lifting range 660 mm
- ▶ Max. lifting capacity 120 kg with even desk loading (lifting capacity = load capacity + desk top)
- ▶ Height adjustment with soft start
- ▶ Nominal voltage 100 - 240 V / 50 - 60 Hz
- ▶ Low energy consumption (standby 0.1 W)
- ▶ Adjustment speed 39 mm/s
- ▶ Collision detection (no personal protection)
- ▶ Powder coated steel

Set comprises:

- ▶ 2 lifting columns
- ▶ 2 foot extensions, Highline, 736 mm
- ▶ 2 desk top supports, Highline, 600 mm
- ▶ 2 telescopic cross members
- ▶ 1 electronic control unit
- ▶ 1 hand switch
- ▶ 1 mains power connection cable, 1800 mm, with Euro plug
- ▶ Installation material
- ▶ Installation instructions

Colour	Order no.	PU
silver	9 309 760	1 set
black	9 309 761	1 set
white	9 309 762	1 set

Planning example



Advice

- | | | | |
|--------------------|---------|---------------|---------|
| ▶ Cable management | 16 - 24 | ▶ Accessories | 36 - 38 |
| ▶ Storage space | 25 - 32 | | |
| ▶ Modesty panel | 33 | | |
| ▶ Desk tops | 34 - 35 | | |



hettich.com/short/5i2qwee

Steelforce desk support

- ▶ Desk support sets
- ▶ Power assisted height adjustment

Steelforce Pro 671 SLS Highline 90° XL



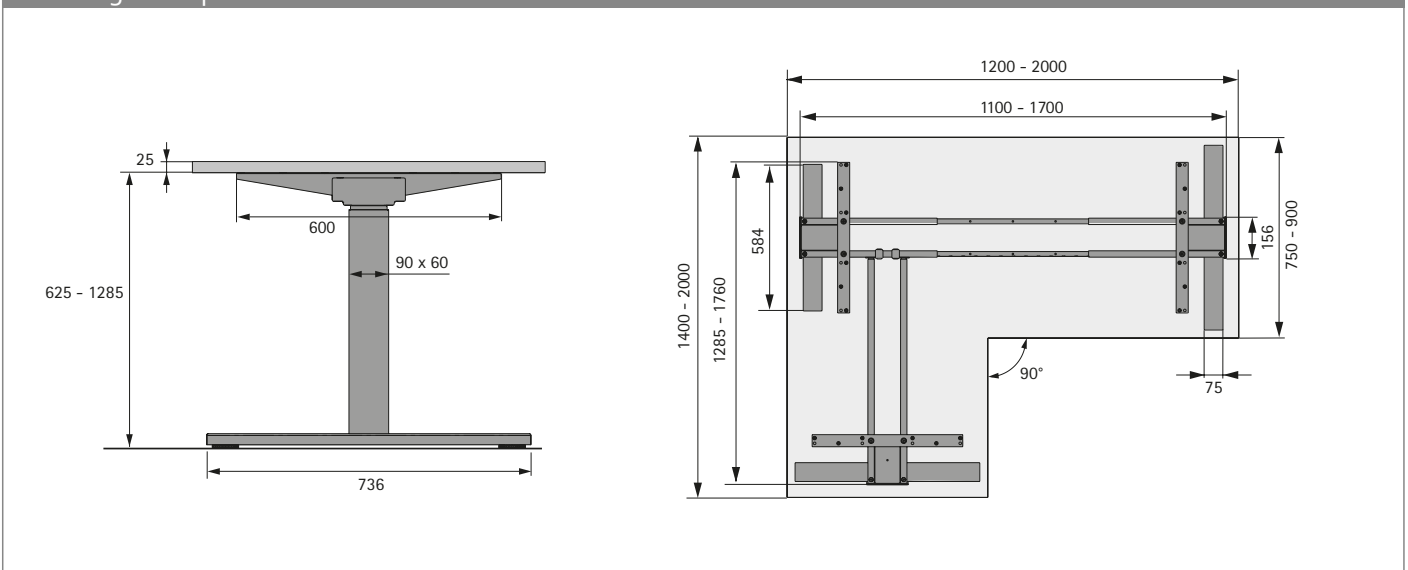
- ▶ Power assisted height adjustable desk support for angled desk tops
- ▶ Double telescoping lifting columns, 60 x 90 mm
- ▶ For variable desk top sizes:
 - depth 750 - 900 mm
 - width 1200 - 2000 mm / 1400 - 2000 mm
- ▶ Height adjustment from 625 - 1285 mm
- ▶ Lifting range 660 mm
- ▶ Max. lifting capacity 150 kg with even desk loading (lifting capacity = load capacity + desk top)
- ▶ Height adjustment with soft start
- ▶ Nominal voltage 100 - 240 V / 50 - 60 Hz
- ▶ Low energy consumption (standby 0.1 W)
- ▶ Adjustment speed 39 mm/s
- ▶ Collision detection (no personal protection)
- ▶ Powder coated steel

Set comprises:

- ▶ 3 lifting columns
- ▶ 2 foot extensions, Highline, 736 mm
- ▶ 1 foot extension, Highline, 584 mm
- ▶ 3 desk top supports, Highline, 600 mm
- ▶ 4 telescopic cross members
- ▶ 1 electronic control unit
- ▶ 1 hand switch
- ▶ 1 mains power connection cable, 1800 mm, with earth contacting (Schuko) plug
- ▶ Installation material
- ▶ Installation instructions

Colour	Order no.	PU
silver	9 311 358	1 set
black	9 311 391	1 set
white	9 311 392	1 set

Planning example



Advice

- | | |
|--------------------|---------|
| ▶ Cable management | 16 - 24 |
| ▶ Storage space | 25 - 32 |
| ▶ Modesty panel | 33 |
| ▶ Accessories | 36 - 38 |



hettich.com/short/587rcdx

Steelforce desk support

- ▶ Desk support sets
- ▶ Power assisted height adjustment

Steelforce Pro 673 SLS Highline 135° XL



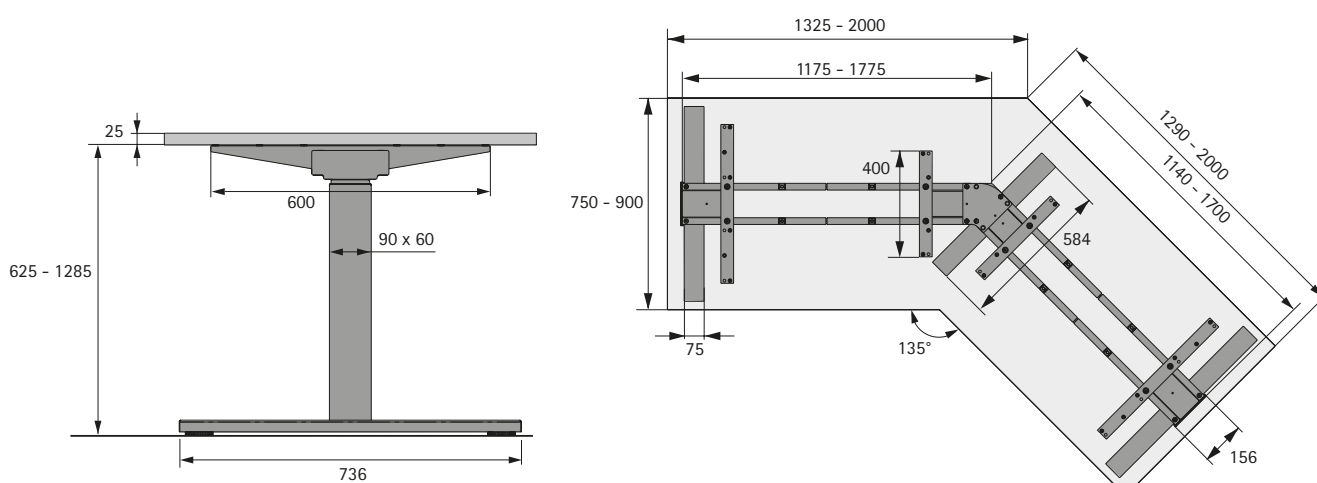
- ▶ Power assisted height adjustable desk support for angled desk tops
- ▶ Double telescoping lifting columns, 60 x 90 mm
- ▶ For variable desk top sizes:
 - depth 750 - 900 mm
 - width 1325 - 2000 mm / 1290 - 2000 mm
- ▶ Height adjustment from 625 - 1285 mm
- ▶ Lifting range 660 mm
- ▶ Max. lifting capacity 150 kg with even desk loading (lifting capacity = load capacity + desk top)
- ▶ Height adjustment with soft start
- ▶ Nominal voltage 100 - 240 V / 50 - 60 Hz
- ▶ Low energy consumption (standby 0.1 W)
- ▶ Adjustment speed 39 mm/s
- ▶ Collision detection (no personal protection)
- ▶ Powder coated steel

Set comprises:

- ▶ 3 lifting columns
- ▶ 2 foot extensions, Highline, 736 mm
- ▶ 1 foot extension, Highline, 584 mm
- ▶ 2 desk top supports, Highline, 600 mm
- ▶ 2 desk top supports, Highline, 400 mm
- ▶ 4 telescopic cross members
- ▶ 1 electronic control unit
- ▶ 1 hand switch
- ▶ 1 mains power connection cable, 1800 mm, with earth contacting (Schuko) plug
- ▶ Installation material
- ▶ Installation instructions

Colour	Order no.	PU
silver	9 311 393	1 set
black	9 311 394	1 set
white	9 311 395	1 set

Planning example



Advice

- ▶ Cable management 16 - 24
- ▶ Storage space 25 - 32
- ▶ Modesty panel 33
- ▶ Accessories 36 - 38



hettich.com/short/n0wnuy2

Steelforce desk support

- ▶ Desk support sets
- ▶ Power assisted height adjustment

Steelforce Pro 670 SLS Highline Bench



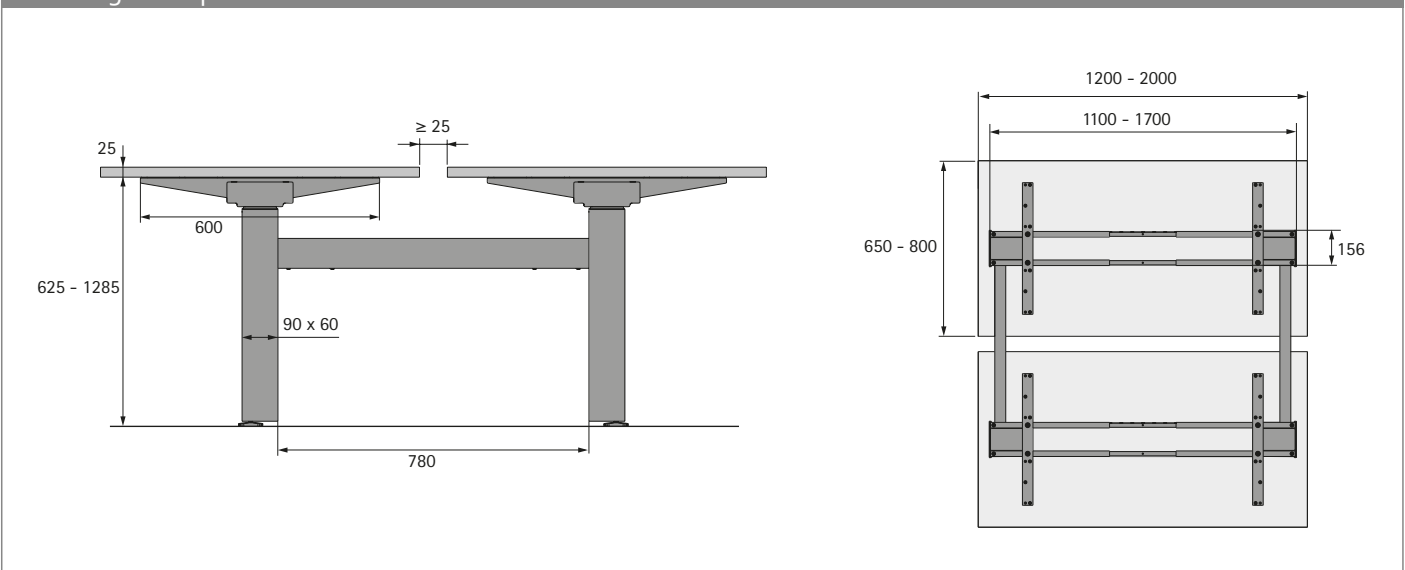
- ▶ Power assisted height adjustable desk support frame for two person work station in bench layout
- ▶ Double telescoping lifting columns, 60 x 90 mm
- ▶ For variable desk top sizes:
 - depth 650 - 800 mm
 - width 1200 - 2000 mm
- ▶ Height adjustment from 625 - 1285 mm
- ▶ Lifting range 660 mm
- ▶ Max. lifting capacity 120 kg with even desk loading (lifting capacity = load capacity + desk top) per work station
- ▶ Height adjustment with soft start
- ▶ Nominal voltage 100 - 240 V / 50 - 60 Hz
- ▶ Low energy consumption (standby 0.1 W) per work station
- ▶ Adjustment speed 39 mm/s
- ▶ Collision detection (no personal protection)
- ▶ Powder coated steel

Set comprises:

- ▶ 4 lifting columns with adjustable foot
- ▶ 4 desk top supports, Highline, 600 mm
- ▶ 4 telescopic cross members
- ▶ 2 cross members
- ▶ 2 electronic control units
- ▶ 2 hand switches
- ▶ 2 mains power connection cable, 1800 mm, with Euro plug
- ▶ Installation material
- ▶ Installation instructions

Colour	Order no.	PU
silver	9 311 397	1 set
black	9 311 398	1 set
white	9 311 400	1 set

Planning example



Advice

- | | | | |
|--------------------|---------|---------------|---------|
| ▶ Cable management | 16 - 24 | ▶ Accessories | 36 - 38 |
| ▶ Storage space | 25 - 32 | | |
| ▶ Modesty panel | 33 | | |
| ▶ Desk tops | 34 - 35 | | |



hettich.com/short/hqz98mz

Steelforce desk support

- ▶ Desk support sets
- ▶ Power assisted height adjustment

Steelforce Pro 570 SLS Highline



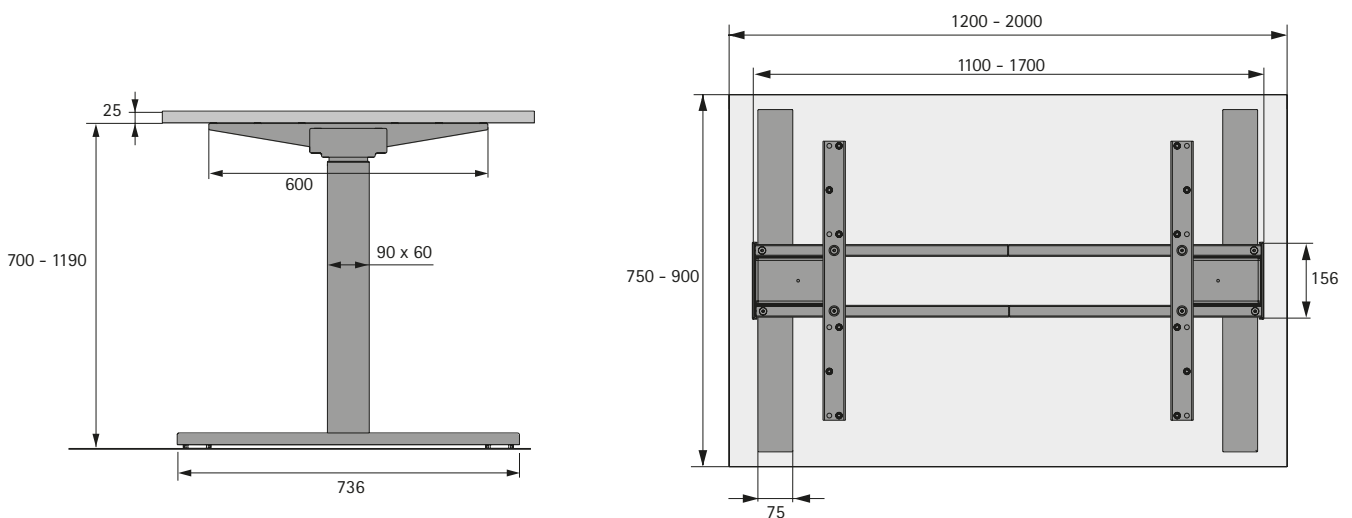
- ▶ Power assisted height adjustable desk support
- ▶ Single telescoping lifting columns, 60 x 90 mm
- ▶ For variable desk top sizes:
 - depth 750 - 900 mm
 - width 1200 - 2000 mm
- ▶ Height adjustment from 700 - 1190 mm
- ▶ Lifting range 490 mm
- ▶ Max. lifting capacity 120 kg with even desk loading (lifting capacity = load capacity + desk top)
- ▶ Height adjustment with soft start
- ▶ Nominal voltage 100 - 240 V / 50 - 60 Hz
- ▶ Low energy consumption (standby 0.1 W)
- ▶ Adjustment speed 39 mm/s
- ▶ Collision detection (no personal protection)
- ▶ Powder coated steel

Set comprises:

- ▶ 2 lifting columns
- ▶ 2 foot extensions, Highline, 736 mm
- ▶ 2 desk top supports, Highline, 600 mm
- ▶ 2 telescopic cross members
- ▶ 1 electronic control unit
- ▶ 1 hand switch
- ▶ 1 mains power connection cable, 1800 mm, with Euro plug
- ▶ Installation material
- ▶ Installation instructions

Colour	Order no.	PU
silver	9 309 757	1 set
black	9 309 758	1 set
white	9 309 759	1 set

Planning example



Advice

- | | | | |
|--------------------|---------|---------------|---------|
| ▶ Cable management | 16 - 24 | ▶ Accessories | 36 - 38 |
| ▶ Storage space | 25 - 32 | | |
| ▶ Modesty panel | 33 | | |
| ▶ Desk tops | 34 - 35 | | |



hettich.com/short/epzrk24

Steelforce desk support

- ▶ Desk support sets
- ▶ Power assisted height adjustment

Steelforce Pro 470 SLS



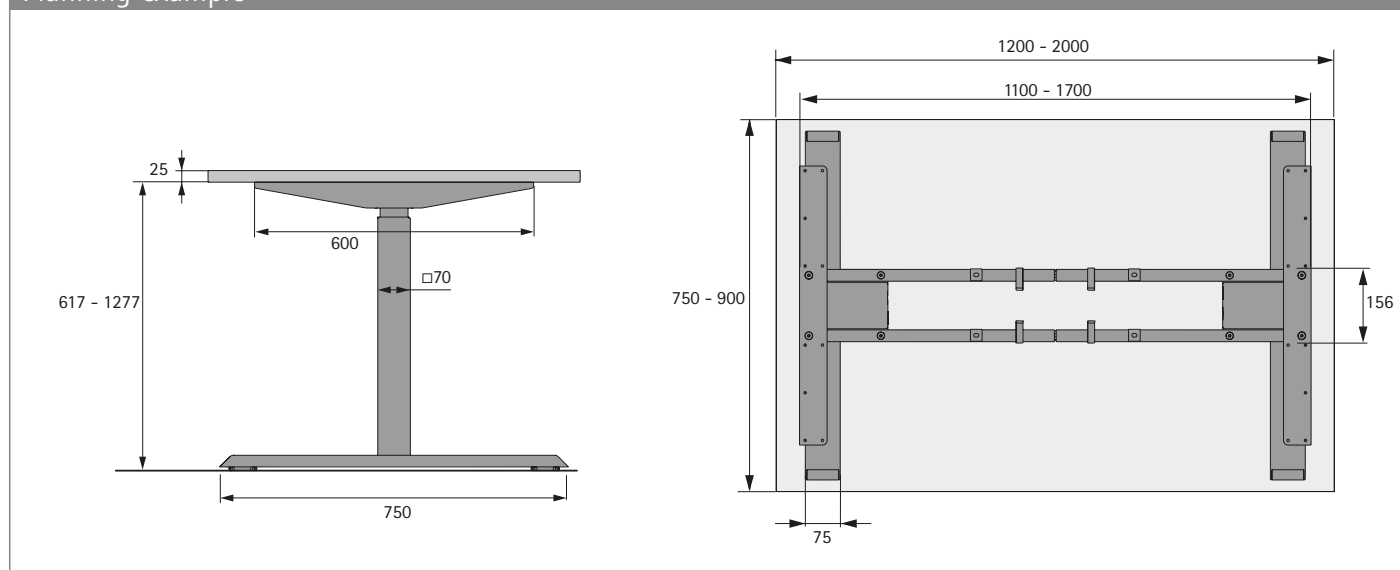
- ▶ Power assisted height adjustable desk support
- ▶ Double telescoping lifting columns, 70 x 70 mm
- ▶ For variable desk top sizes:
 - depth 750 - 900 mm
 - width 1200 - 2000 mm
- ▶ Height adjustment from 617 - 1277 mm
- ▶ Lifting range 660 mm
- ▶ Max. lifting capacity 120 kg with even desk loading (lifting capacity = load capacity + desk top)
- ▶ Height adjustment with soft start
- ▶ Nominal voltage 100 - 240 V / 50 - 60 Hz
- ▶ Low energy consumption (standby 0.1 W)
- ▶ Adjustment speed 39 mm/s
- ▶ Collision detection (no personal protection)
- ▶ Powder coated steel

Set comprises:

- ▶ 2 lifting columns
- ▶ 2 foot extensions, 750 mm
- ▶ 2 desk top supports, 600 mm
- ▶ 2 telescopic cross members
- ▶ 1 electronic control unit
- ▶ 1 hand switch
- ▶ 1 mains power connection cable, 1800 mm, with Euro plug
- ▶ Installation material
- ▶ Installation instructions

Colour	Order no.	PU
silver	9 309 754	1 set
black	9 309 755	1 set
white	9 309 756	1 set

Planning example



Advice

▶ Cable management	16 - 24	▶ Accessories	36 - 38
▶ Storage space	25 - 32		
▶ Modesty panel	33		
▶ Desk tops	34 - 35		



hettich.com/short/ot3kuxy

Steelforce desk support

- ▶ Desk support sets
- ▶ Power assisted height adjustment

Steelforce Pro 370 SLS



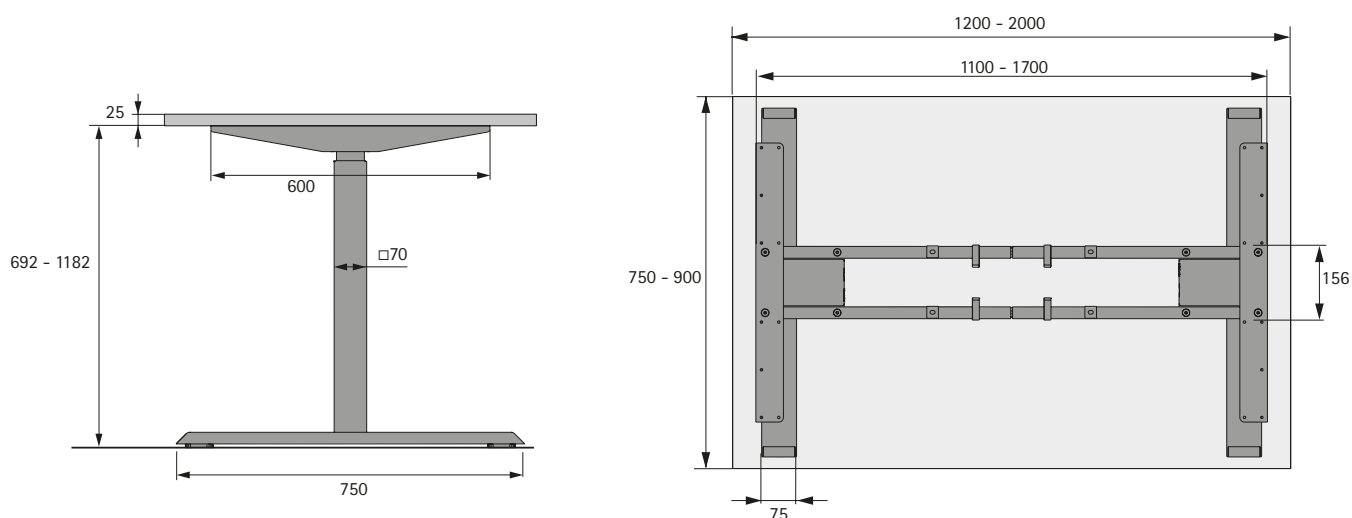
- ▶ Power assisted height adjustable desk support
- ▶ Single telescoping lifting columns, 70 x 70 mm
- ▶ For variable desk top sizes:
 - depth 750 - 900 mm
 - width 1200 - 2000 mm
- ▶ Height adjustment from 692 - 1182 mm
- ▶ Lifting range 490 mm
- ▶ Max. lifting capacity 120 kg with even desk loading (lifting capacity = load capacity + desk top)
- ▶ Height adjustment with soft start
- ▶ Nominal voltage 100 - 240 V / 50 - 60 Hz
- ▶ Low energy consumption (standby 0.1 W)
- ▶ Adjustment speed 39 mm/s
- ▶ Collision detection (no personal protection)
- ▶ Powder coated steel

Set comprises:

- ▶ 2 lifting columns
- ▶ 2 foot extensions, 750 mm
- ▶ 2 desk top supports, 600 mm
- ▶ 2 telescopic cross members
- ▶ 1 electronic control unit
- ▶ 1 hand switch
- ▶ 1 mains power connection cable, 1800 mm, with Euro plug
- ▶ Installation material
- ▶ Installation instructions

Colour	Order no.	PU
silver	9 309 751	1 set
black	9 309 752	1 set
white	9 309 753	1 set

Planning example



Advice

▶ Cable management	16 - 24	▶ Accessories	36 - 38
▶ Storage space	25 - 32		
▶ Modesty panel	33		
▶ Desk tops	34 - 35		



hettich.com/short/qkqplmm

Steelforce desk support

- ▶ Desk support sets
- ▶ Power assisted height adjustment

Steelforce Pro 300



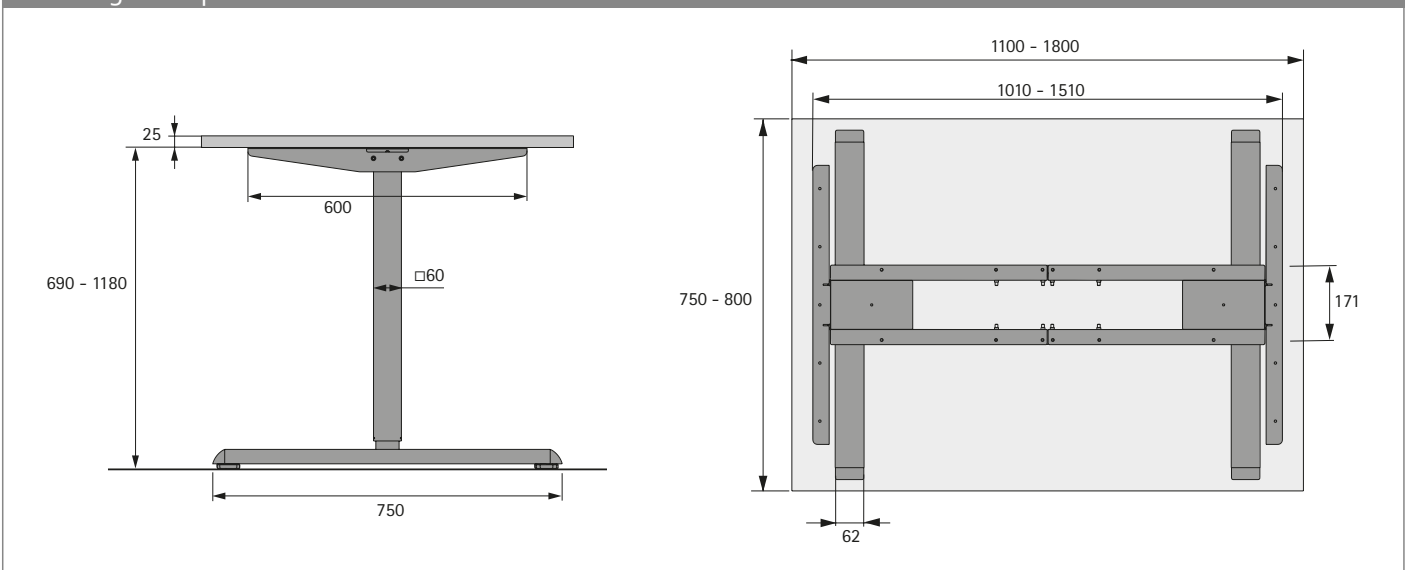
- ▶ Power assisted height adjustable desk support
- ▶ Single telescoping lifting columns, 60 x 60 mm
- ▶ For variable desk top sizes:
 - depth 750 - 800 mm
 - width 1100 - 1800 mm
- ▶ Height adjustment from 690 - 1180 mm
- ▶ Lifting range 490 mm
- ▶ Max. lifting capacity 100 kg with even desk loading (lifting capacity = load capacity + desk top)
- ▶ Height adjustment with soft start
- ▶ Nominal voltage 100 - 240 V / 50 - 60 Hz
- ▶ Low energy consumption (standby 0.1 W)
- ▶ Adjustment speed 39 mm/s
- ▶ Collision detection (no personal protection)
- ▶ Powder coated steel

Set comprises:

- ▶ 2 lifting columns
- ▶ 2 foot extensions, 750 mm
- ▶ 2 desk top supports, 600 mm
- ▶ 2 telescopic cross members
- ▶ 1 electronic control unit
- ▶ 1 hand switch
- ▶ 1 mains power connection cable, 1800 mm, with Euro plug
- ▶ Installation material
- ▶ Installation instructions

Colour	Order no.	PU
black	9 309 791	1 set
white	9 309 792	1 set

Planning example



Advice

▶ Cable management	16 - 24	▶ Accessories	36 - 38
▶ Storage space	25 - 32		
▶ Modesty panel	33		
▶ Desk tops	34 - 35		



hettich.com/short/aqqyw2v

Steelforce desk support

- ▶ Desk support sets
- ▶ Power assisted height adjustment

Steelforce Pro 300 slim



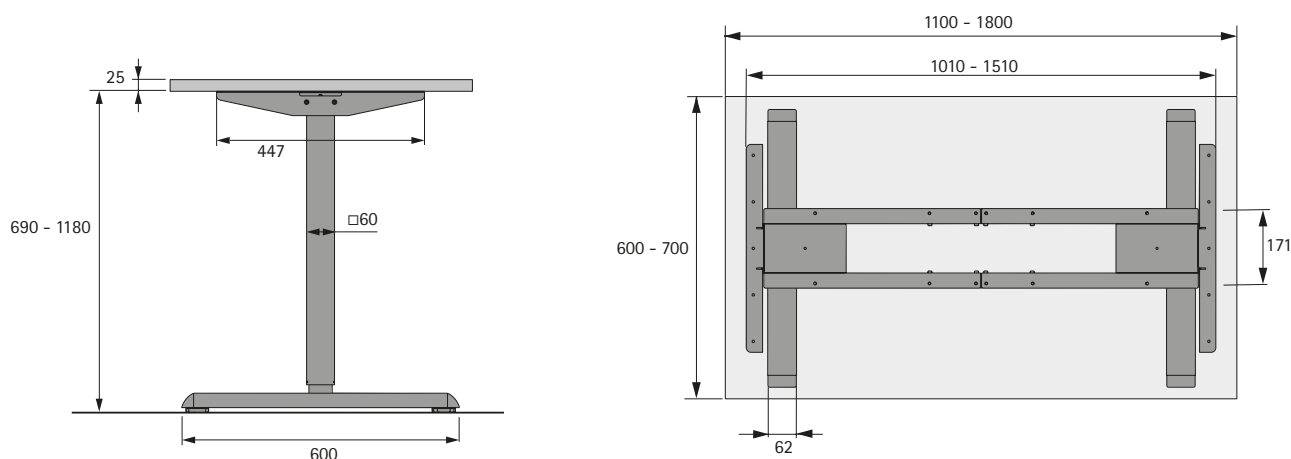
- ▶ Power assisted height adjustable desk support
- ▶ Single telescoping lifting columns, 60 x 60 mm
- ▶ For variable desk top sizes:
 - depth 600 - 700 mm
 - width 1100 - 1800 mm
- ▶ Height adjustment from 690 - 1180 mm
- ▶ Lifting range 490 mm
- ▶ Max. lifting capacity 100 kg with even desk loading (lifting capacity = load capacity + desk top)
- ▶ Height adjustment with soft start
- ▶ Nominal voltage 100 - 240 V / 50 - 60 Hz
- ▶ Low energy consumption (standby 0.1 W)
- ▶ Adjustment speed 39 mm/s
- ▶ Collision detection (no personal protection)
- ▶ Powder coated steel

Set comprises:

- ▶ 2 lifting columns
- ▶ 2 foot extensions, 600 mm
- ▶ 2 desk top supports, 447 mm
- ▶ 2 telescopic cross members
- ▶ 1 electronic control unit
- ▶ 1 hand switch
- ▶ 1 mains power connection cable, 1800 mm, with Euro plug
- ▶ Installation material
- ▶ Installation instructions

Colour	Order no.	PU
black	9 309 793	1 set
white	9 309 794	1 set

Planning example



Advice

▶ Cable management	16 - 24	▶ Accessories	36 - 38
▶ Storage space	25 - 32		
▶ Modesty panel	33		
▶ Desk tops	34 - 35		



hettich.com/short/b54me7m

Steelforce desk support

- ▶ Desk support sets
- ▶ Manual height adjustment

Steelforce Pro 310 HC slim



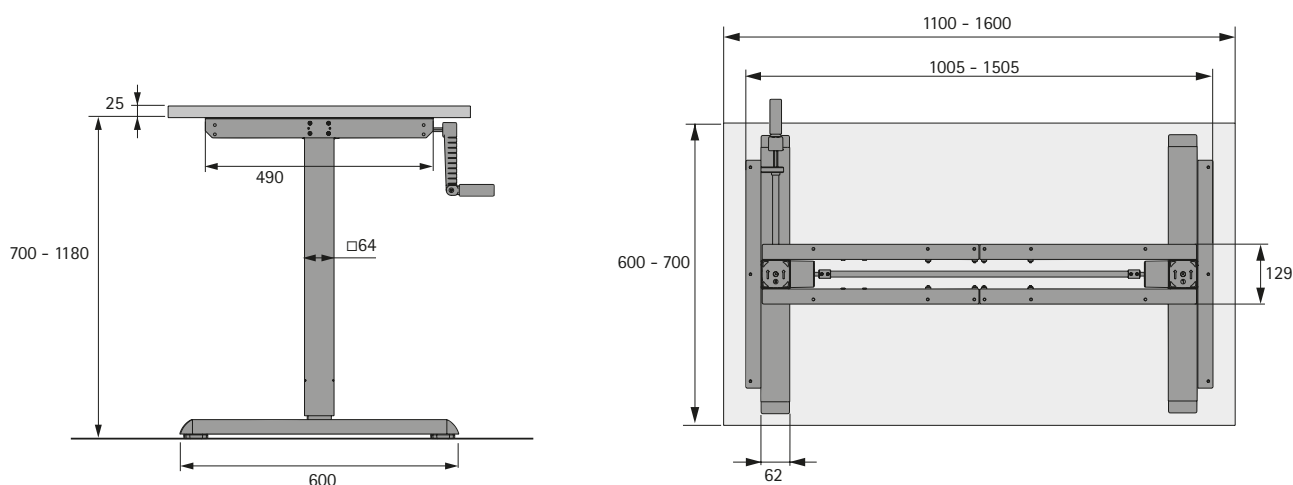
- ▶ Manually height adjustable desk support
- ▶ Single telescoping lifting columns, 64 x 64 mm
- ▶ For variable desk top sizes:
 - depth 600 - 700 mm
 - width 1100 - 1600 mm
- ▶ Height adjustment from 700 - 1180 mm
- ▶ Lifting range 480 mm
- ▶ Max. lifting capacity 60 kg with even desk loading (lifting capacity = load capacity + desk top)
- ▶ Powder coated steel

Set comprises:

- ▶ 2 lifting columns
- ▶ 2 foot extensions, 600 mm
- ▶ 2 desk top supports, 490 mm
- ▶ 2 telescopic cross members
- ▶ 1 hand crank
- ▶ Installation material
- ▶ Installation instructions

Colour	Order no.	PU
black	9 309 795	1 set
white	9 309 796	1 set

Planning example



Advice

▶ Cable management	16 - 24	▶ Accessories	36 - 38
▶ Storage space	25 - 32		
▶ Modesty panel	33		
▶ Desk tops	34 - 35		



hettich.com/short/7ngz24

Steelforce desk support

► Cable management

Fixed cable tray



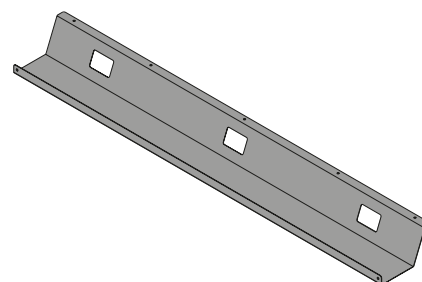
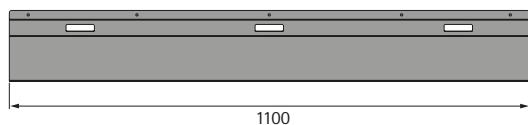
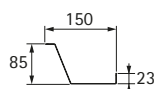
- Horizontal cable tray
- For installing under desk top
- Width 1100 mm
- Height 150 mm
- Depth 85 mm
- Powder coated steel

Set comprises:

- 1 cable trunking
- Installation material
- Installation instructions

Colour	Order no.	PU
silver	9 309 797	1 set
black	9 309 798	1 set
white	9 309 799	1 set

Dimensions



Steelforce desk support

► Cable management

Cable tray 1200



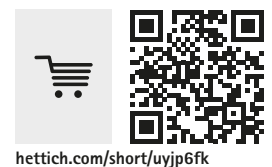
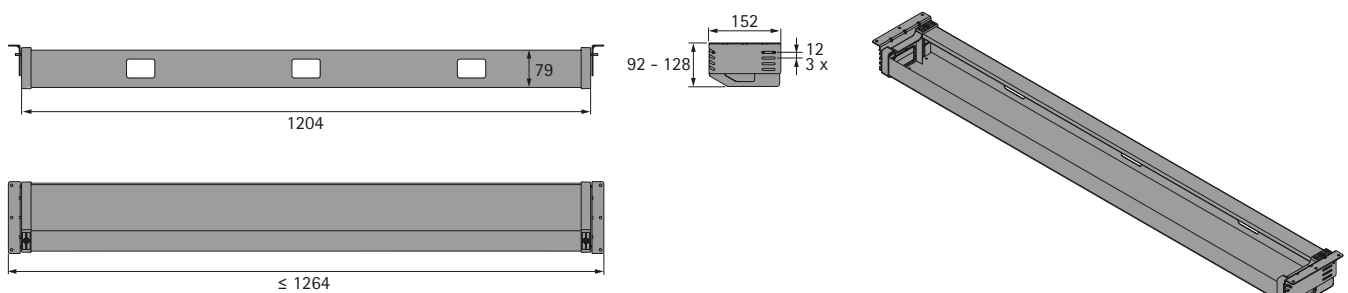
- Horizontal cable tray, height adjustable and foldable
- For installing under desk top
- Width 1264 mm
- Height 92 - 128 mm
- Depth 152 mm
- Powder coated steel

Set comprises:

- 1 cable trunking
- 2 holders
- Installation material
- Installation instructions

Colour	Order no.	PU
silver	9 309 800	1 set
black	9 309 801	1 set
white	9 309 802	1 set

Dimensions



hettich.com/short/uyjp6fk

Steelforce desk support

► Cable management

Easy cable tray



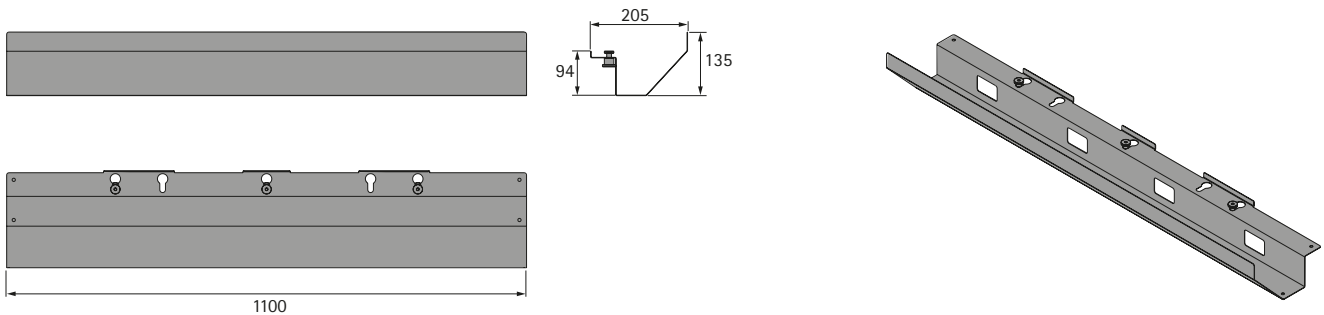
- Horizontal cable tray
- For installing under desk top
- Width 1100 mm
- Height 135 mm
- Depth 205 mm
- Powder coated steel

Set comprises:

- 1 cable trunking
- Installation material
- Installation instructions

Colour	Order no.	PU
silver	9 309 803	1 set
black	9 309 804	1 set
white	9 309 805	1 set

Dimensions



hettich.com/short/uyjp6fk

Steelforce desk support

► Cable management

Flex cable tray



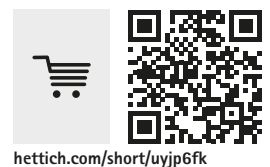
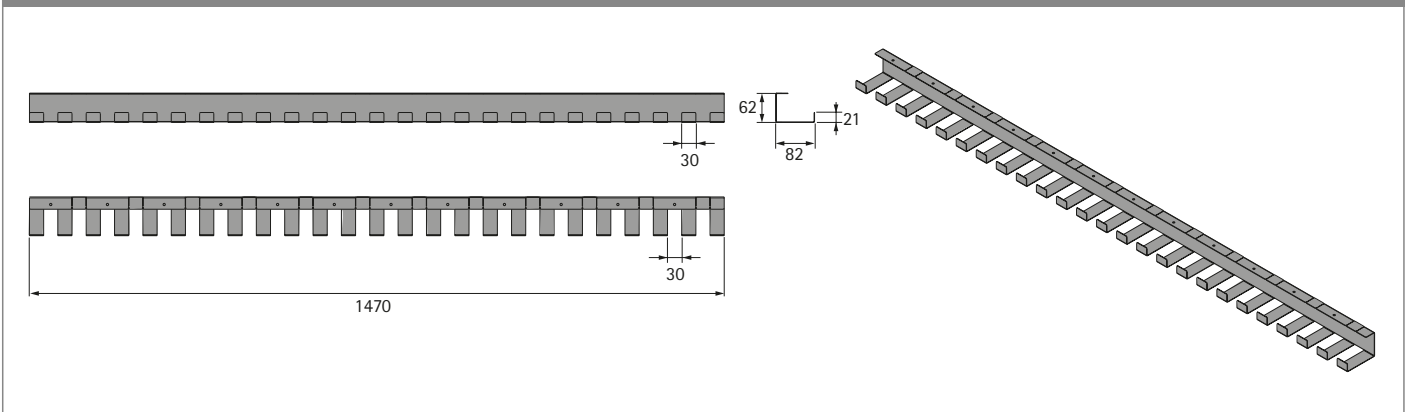
- Horizontal cable tray
- Can be adapted to any situation, e.g. to desk top contour
- For installing under desk top
- Width 1470 mm
- Height 62 mm
- Depth 82 mm
- Powder coated steel

Set comprises:

- 1 cable trunking
- Installation material
- Installation instructions

Colour	Order no.	PU
black	9 309 806	1 set
white	9 309 807	1 set

Dimensions



hettich.com/short/uyjp6fk

Steelforce desk support

► Cable management

Click cable tray



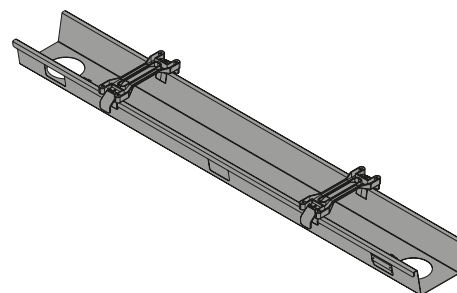
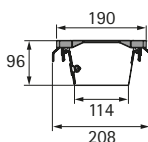
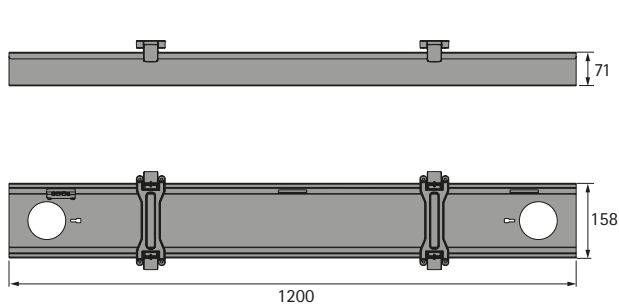
- Horizontal cable tray, easy access
- For installing under desk top
- Width 1200 mm
- Height 96 mm
- Depth 190 mm
- Powder coated steel

Set comprises:

- 1 cable trunking
- Installation material
- Installation instructions

Colour	Order no.	PU
silver	9 309 808	1 set
black	9 309 809	1 set
white	9 309 810	1 set

Dimensions



hettich.com/short/uyjp6fk

Stelforce desk support

► Cable management

Bamboo cable tray



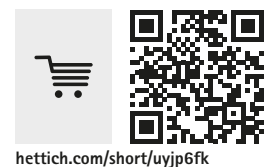
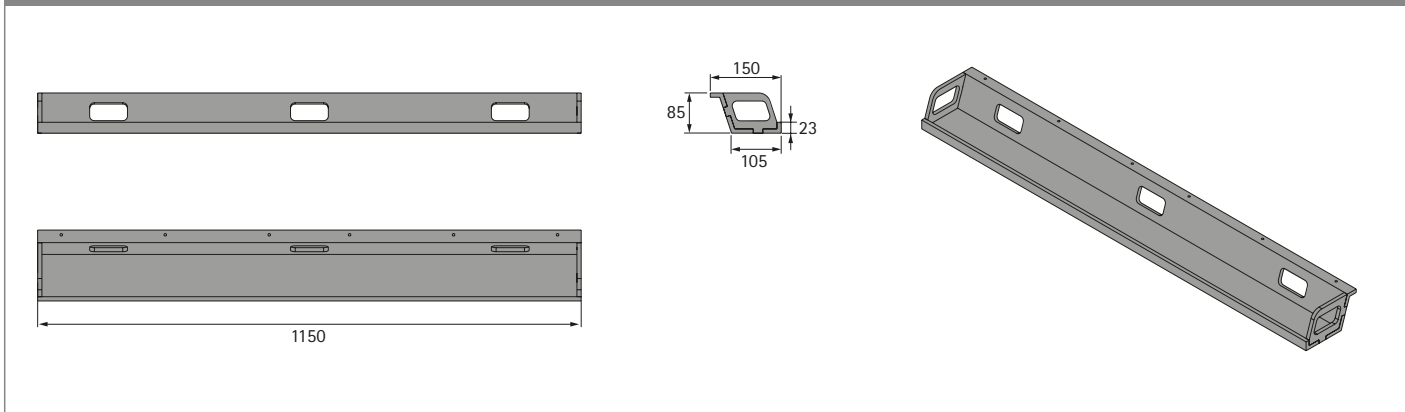
- Horizontal cable tray
- For installing under desk top
- Width 1150 mm
- Height 85 mm
- Depth 150 mm
- Bamboo

Set comprises:

- 1 cable trunking
- Installation material
- Installation instructions

Order no.	PU
9 309 811	1 set

Dimensions



hettich.com/short/uyjp6fk

Steelforce desk support

► Cable management

Slim cable chain



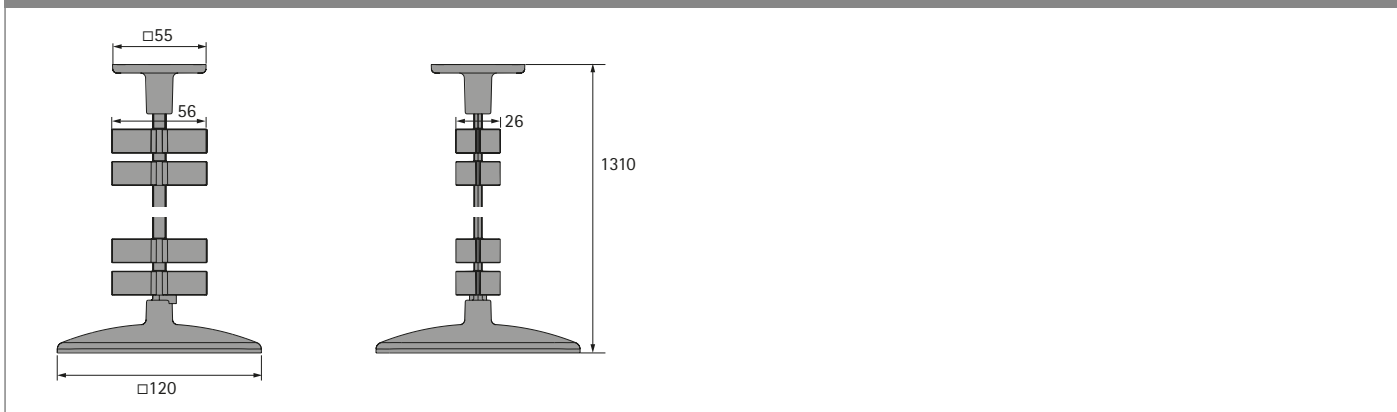
- Vertical cable chain
- Protected cable routing from floor socket outlet to desk top
- Length 1310 mm
- Size 56 x 26 mm
- Plastic

Set comprises:

- 1 cable chain
- 1 desk top adapter
- 1 base weighing
- Installation material

Colour	Order no.	PU
silver	9 309 812	1 set
black	9 309 813	1 set
white	9 309 814	1 set

Dimensions



hettich.com/short/uyjp6fk

Magnet for Slim cable chain



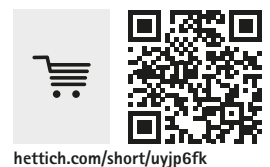
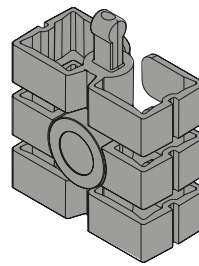
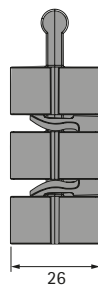
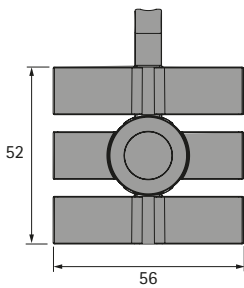
- Magnetic element for optimising guidance of Slim cable chain
- Magnetically holds cable chain on steel desk leg
- Length 52 mm
- Size 56 x 26 mm
- Plastic, integrated magnet

Set comprises:

- 1 magnetic element

Colour	Order no.	PU
silver	9 309 815	1 set
black	9 309 816	1 set
white	9 309 817	1 set

Dimensions



hettich.com/short/uyjp6fk

Cable grip

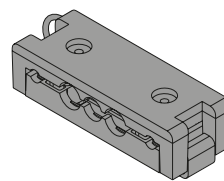
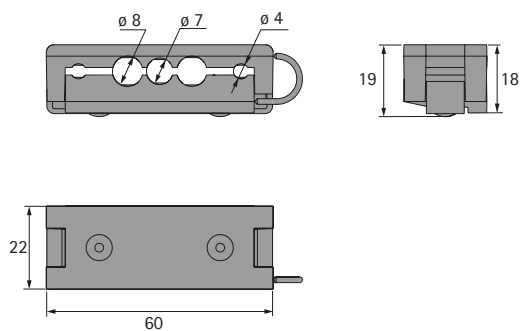


- Cable grip for up to 3 cables
- Width 60 mm
- Size 22 x 19 mm
- Plastic, silver

Set comprises:
► 1 cable grip

Order no.	PU
9 309 818	1 set

Dimensions



Stelforce desk support

► Storage space

SN Grip drawer



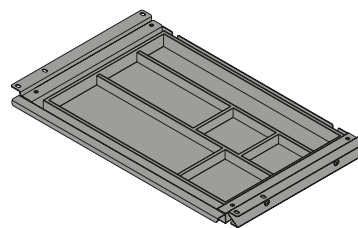
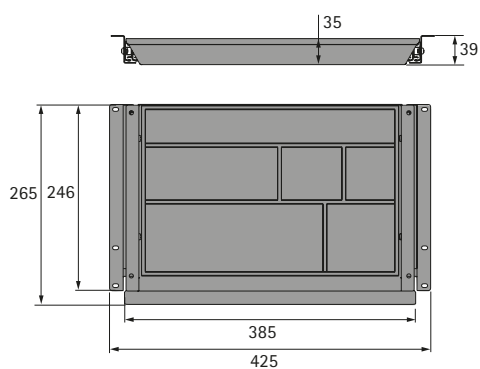
- Drawer for easy access below the desk top
- Width 425 mm
- Depth 265 mm
- Height 39 mm
- Powder coated steel

Set comprises:

- 1 drawer
- 1 organiser element, bamboo
- Installation material
- Installation instructions

Colour	Order no.	PU
silver	9 309 819	1 set
black	9 309 820	1 set
white	9 309 821	1 set

Dimensions



hettich.com/short/yitr0p7

Steelforce desk support

► Storage space

SL Grip drawer



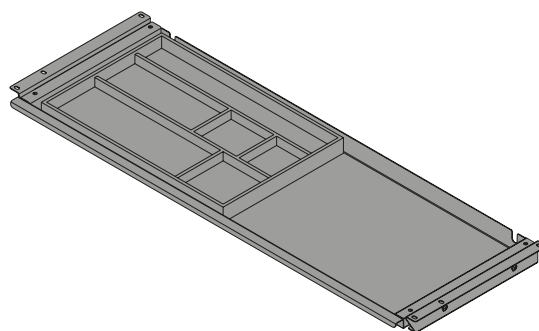
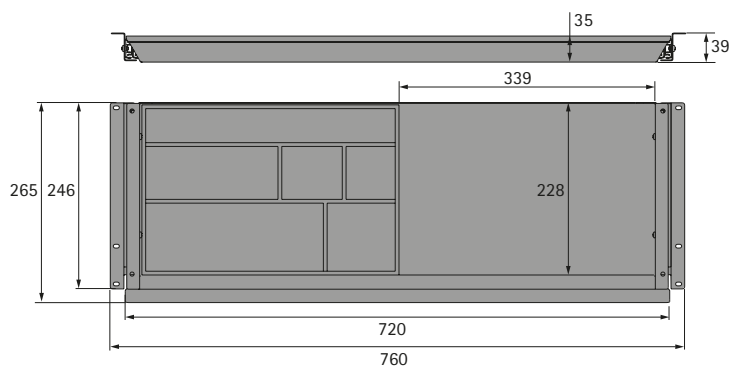
- Wide drawer for easy access below the desk top
- Width 760 mm
- Depth 265 mm
- Height 39 mm
- Powder coated steel

Set comprises:

- 1 drawer
- 1 organiser element, bamboo
- 1 felt mat
- Installation material
- Installation instructions

Colour	Order no.	PU
silver	9 309 822	1 set
black	9 309 823	1 set
white	9 309 824	1 set

Dimensions



hettich.com/short/yitr0p7

Steelforce desk support

► Storage space

Bamboo drawer



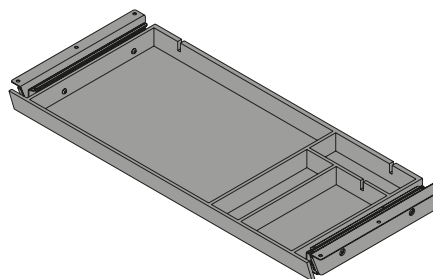
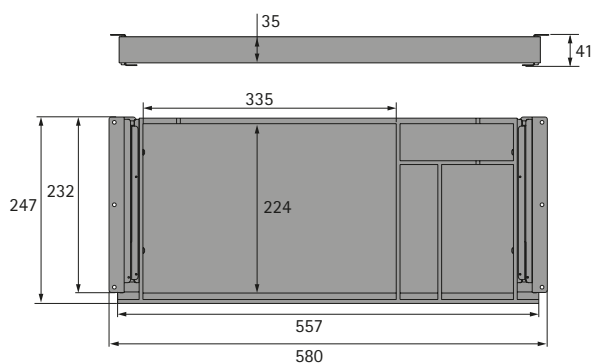
- Drawer for easy access below the desk top
- Width 580 mm
- Depth 247 mm
- Height 41 mm
- Bamboo

Set comprises:

- 1 drawer
- 1 felt mat
- Installation material
- Installation instructions

Order no.	PU
9 309 825	1 set

Dimensions



hettich.com/short/yitr0p7

Steelforce desk support

► Storage space

Tri Grip drawer box



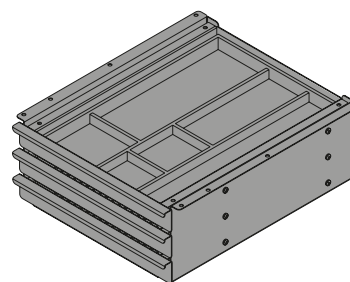
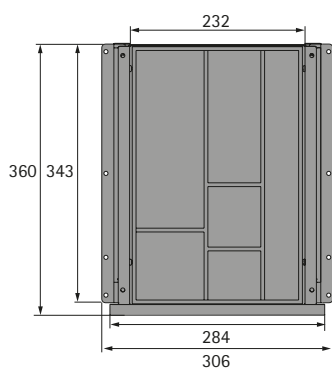
- Drawer element for easy access below the desk top
- Element with 3 drawers
- Width 306 mm
- Depth 360 mm
- Height 127 mm
- Powder coated steel

Set comprises:

- 1 drawer element
- 1 organiser element, bamboo
- 2 felt mats
- Installation material
- Installation instructions

Colour	Order no.	PU
silver	9 309 826	1 set
black	9 309 827	1 set
white	9 309 828	1 set

Dimensions



hettich.com/short/yitr0p7

Stelforce desk support

► Storage space

Duo Grip drawer box



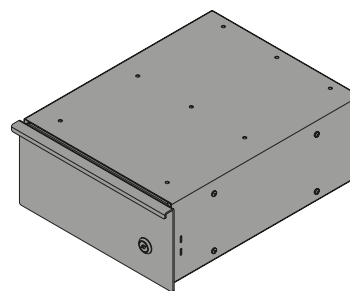
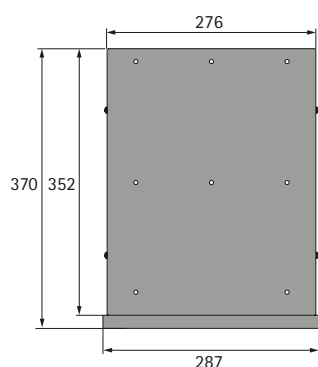
- Drawer element for easy access below the desk top
- Element with 2 drawers
- Outer panel, lockable
- Width 287 mm
- Depth 370 mm
- Height 141 mm
- Powder coated steel

Set comprises:

- 1 drawer element
- 1 organiser element, bamboo
- 1 felt mat
- Installation material
- Installation instructions

Colour	Order no.	PU
silver	9 309 829	1 set
black	9 309 830	1 set
white	9 309 831	1 set

Dimensions



hettich.com/short/yitr0p7

Multibox S



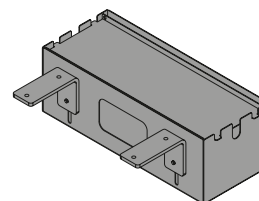
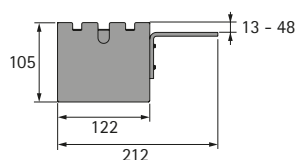
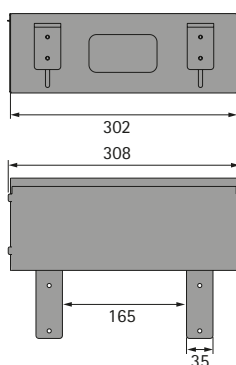
- Organizer box for easy access at the desk top
- Attachment to side of desk top
- Width 308 mm
- Depth 122 mm
- Height 105 mm
- Powder coated steel

Set comprises:

- 1 Multibox
- 1 lid for Multibox
- 2 fixing brackets
- Installation material
- Installation instructions

Colour	Order no.	PU
silver	9 309 832	1 set
black	9 309 833	1 set
white	9 309 834	1 set

Dimensions



Stelforce desk support

► Storage space

Multibox L



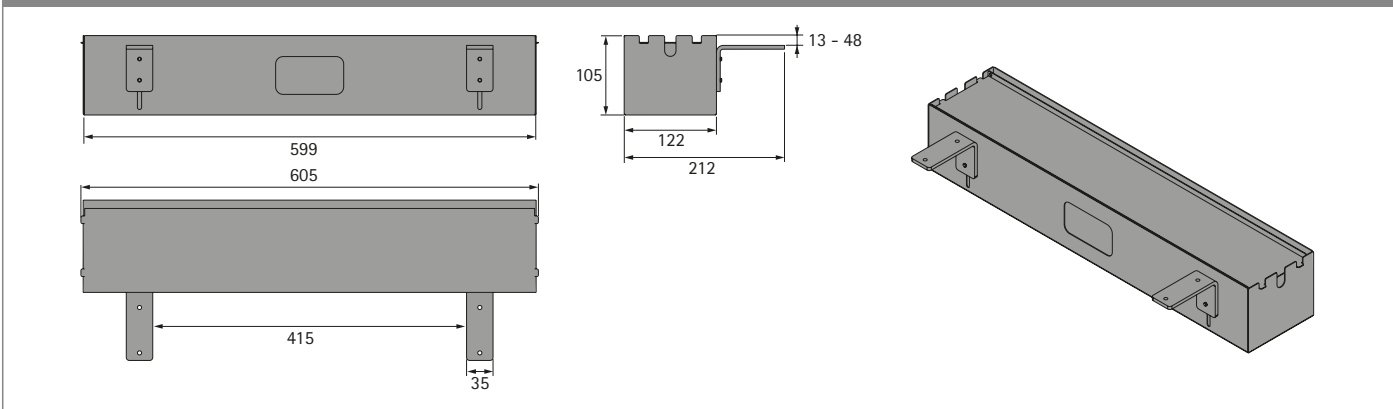
- Organizer box for easy access at the desk top
- Attachment to side of desk top
- Width 605 mm
- Depth 122 mm
- Height 105 mm
- Powder coated steel

Set comprises:

- 1 Multibox
- 1 lid for Multibox
- 2 fixing brackets
- Installation material
- Installation instructions

Colour	Order no.	PU
silver	9 309 835	1 set
black	9 309 836	1 set
white	9 309 837	1 set

Dimensions



Planter for Multibox



- Insert for flowers and plants
- For use in Multibox S or L
- Width 300 mm
- Height 110 mm
- Plastic, black

Order no.	PU
9 309 838	1 ea.



hettich.com/short/yitr0p7

Steelforce desk support

► Storage space

ActiHook



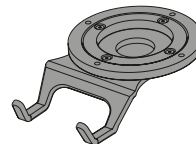
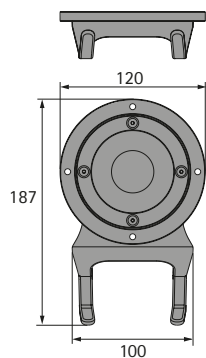
- Hook for hanging up briefcase, handbag, backpack etc.
- For installing under desk top
- Rotatable through 360°
- Dimensions 187 x 120 x 39 mm
- Aluminium

Set comprises:

- 1 ActiHook
- Installation material
- Installation instructions

Order no.	PU
9 309 839	1 set

Dimensions



hettich.com/short/yitr0p7

Steelforce desk support

► Modesty panel

Screen Holder



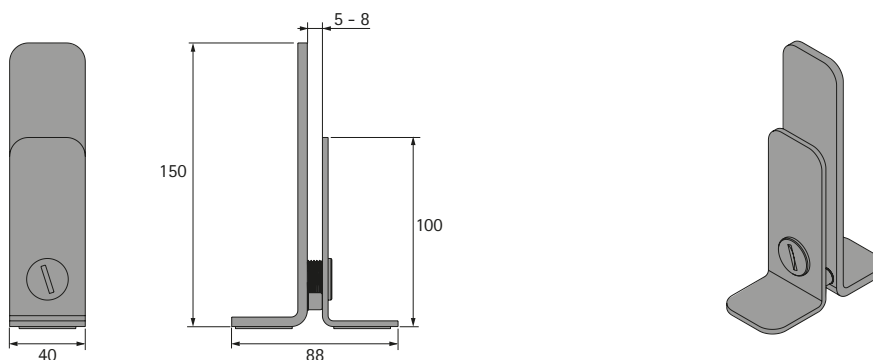
- Holder for attaching screening and sound barrier
- Easily glue mounted to the desk top
- Sizes 100 / 150 x 40 mm
- Clamping range 5 - 8 mm
- Stainless steel

Set comprises:

- 2 Screen Holders, including stick on pad

Order no.	PU
9 309 840	1 set

Dimensions



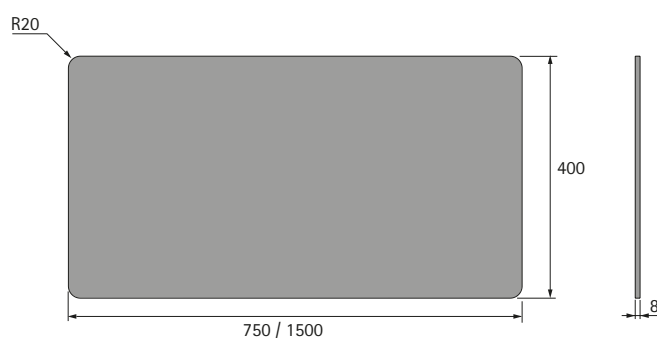
Acoustic Screen



- Screening and sound barrier
- Easy to mount with Screen Holder (must be ordered separately)
- Height 400 mm
- Thickness 8 mm
- Grey nonwoven material

Design	Order no.	PU
Small width 750 mm	9 309 841	1 ea.
Large width 1500 mm	9 309 842	1 ea.

Dimensions



Steelforce desk support

► Desk tops

Desk top, SE 1380 x 670



- For compact desks
- Desk top thickness 25 mm
- Size 1380 x 670 mm
- Quality class 1 chipboard in compliance with DIN 14322
- Melamine resin laminate
- 2 mm ABS edging on all sides

Colour	Order no.	PU
white	9 309 844	1 ea.

Desk top SE 1200



- Desk top thickness 25 mm
- Size 1200 x 800 mm
- Quality class 1 chipboard in compliance with DIN 14322
- Melamine resin laminate
- 2 mm ABS edging on all sides

Colour	Order no.	PU
white	9 309 845	1 ea.
oak look	9 309 846	1 ea.

Desk top SE 1400



- Desk top thickness 25 mm
- Size 1400 x 800 mm
- Quality class 1 chipboard in compliance with DIN 14322
- Melamine resin laminate
- 2 mm ABS edging on all sides

Colour	Order no.	PU
white	9 309 847	1 ea.
oak look	9 309 848	1 ea.

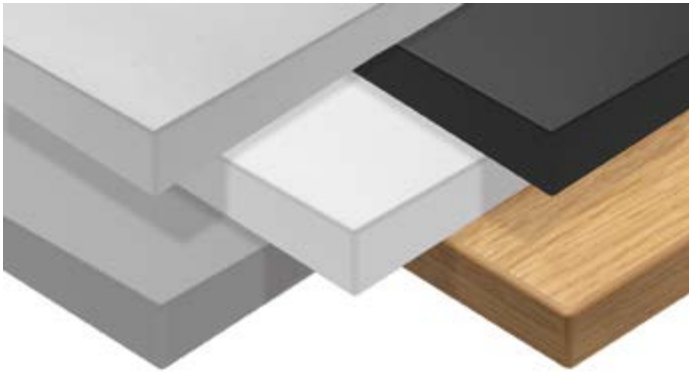


hettich.com/short/bqa8cyw

Stelforce desk support

► Desk tops

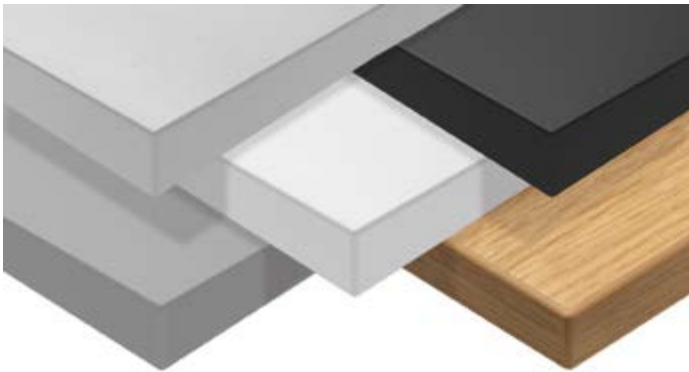
Desk top SE 1600



- Desk top thickness 25 mm
- Size 1600 x 800 mm
- Quality class 1 chipboard in compliance with DIN 14322
- Melamine resin laminate
- 2 mm ABS edging on all sides

Colour	Order no.	PU
silver	9 309 849	1 ea.
black	9 309 850	1 ea.
white	9 309 851	1 ea.
grey	9 309 852	1 ea.
oak look	9 309 853	1 ea.

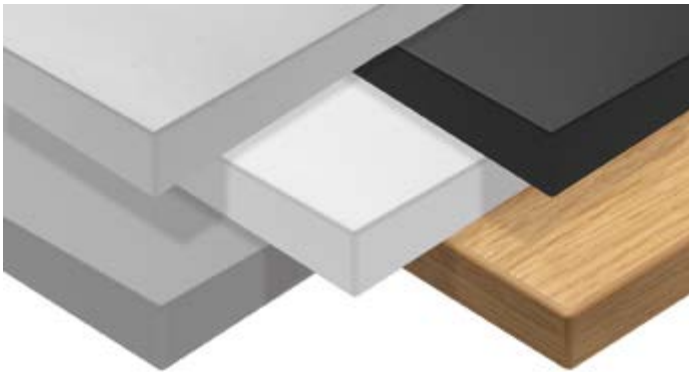
Desk top SE 1800



- Desk top thickness 25 mm
- Size 1800 x 800 mm
- Quality class 1 chipboard in compliance with DIN 14322
- Melamine resin laminate
- 2 mm ABS edging on all sides

Colour	Order no.	PU
silver	9 309 854	1 ea.
black	9 309 855	1 ea.
white	9 309 856	1 ea.
grey	9 309 857	1 ea.
oak look	9 309 858	1 ea.

Desk top SE 2000



- Desk top thickness 25 mm
- Size 2000 x 800 mm
- Quality class 1 chipboard in compliance with DIN 14322
- Melamine resin laminate
- 2 mm ABS edging on all sides

Colour	Order no.	PU
silver	9 309 859	1 ea.
black	9 309 860	1 ea.
white	9 309 861	1 ea.
grey	9 309 862	1 ea.
oak look	9 309 863	1 ea.



hettich.com/short/bqa8cyw

ActiSwitch Pro-Memory hand switch

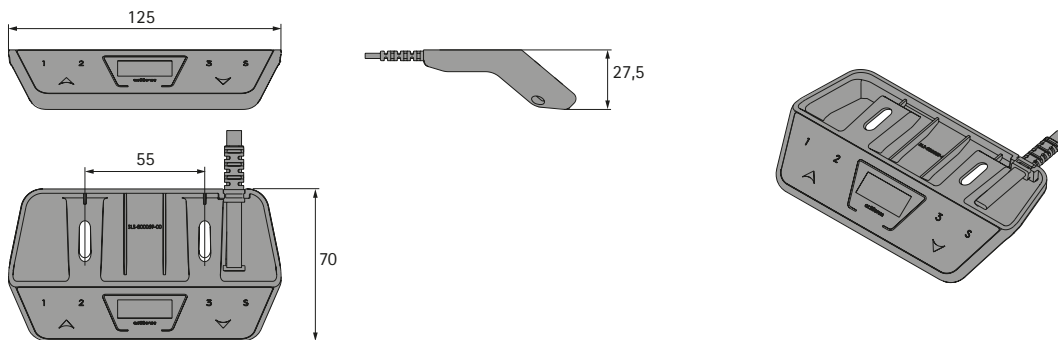


- Hand switch for user friendly Steelforce desk support frame operation
- Digital display of desk height
- 3 memory positions
- Bluetooth
- Socket RJ11
- Plastic, black

- Set comprises:
- 1 hand switch
 - Installation material
 - Installation instructions

Order no.	PU
9 309 938	1 set

Dimensions



ActiSwitch Eco-Memory hand switch

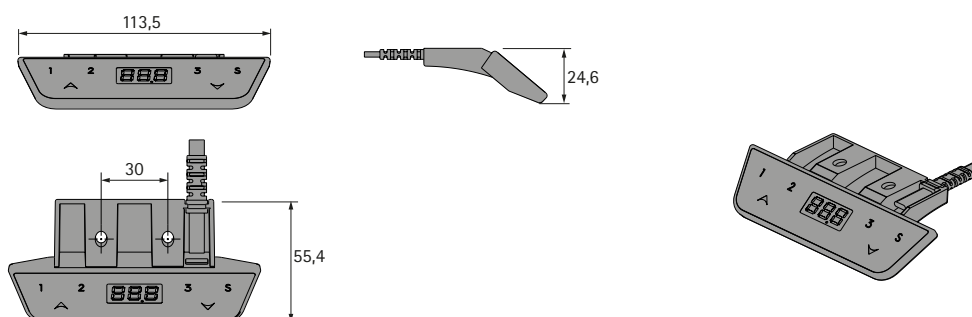


- Hand switch for user friendly Steelforce desk support frame operation
- Digital display of desk height
- 3 memory positions
- Socket RJ11
- Plastic, black

- Set comprises:
- 1 hand switch
 - Installation material
 - Installation instructions

Order no.	PU
9 309 939	1 set

Dimensions



Steelforce desk support

► Accessories

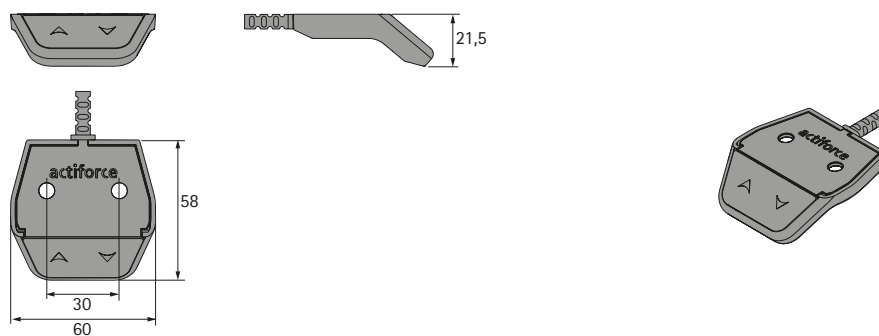
ActiSwitch Pro-Basic hand switch



- Hand switch for easy Steelforce desk support frame operation
- Socket RJ11
- Plastic, black

Order no.	PU
9 309 937	1 ea.

Dimensions



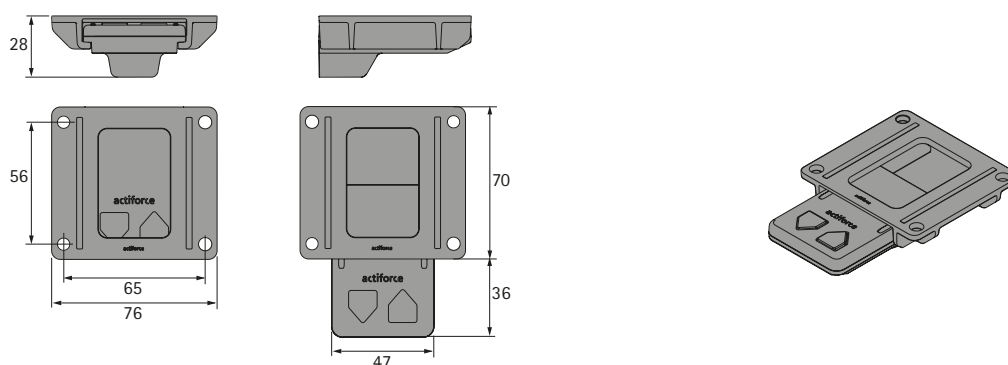
ActiSwitch Classic Slide hand switch



- Hand switch for easy Steelforce desk support frame operation
- For sliding in below the desk top
- Socket RJ11
- Plastic, black

Order no.	PU
9 309 936	1 ea.

Dimensions



ControlForce 2 connecting cable



- Mains power connection cable, length approx. 1800 mm
- For use with ControlForce 2 controllers and Steelforce desk support frames Pro 670, 670 Bench, 570, 470, 370, 300

Design	Order no.	PU
Euro	9 309 943	1 ea.
UK	9 309 945	1 ea.

ControlForce 3 connecting cable



- Mains power connection cable, length approx. 1800 mm
- For use with ControlForce 3 controllers and Steelforce desk support frames Pro 671, 673

Design	Order no.	PU
Euro	9 315 556	1 ea.
Switzerland	9 315 557	1 ea.
UK	9 315 558	1 ea.



hettich.com/short/bvuhbj

Standards and guidelines

The Declaration of Conformity for the desk support frame was prepared on the basis of the following directives:

Machinery Directive 2006/42/EC

EMC Directive 2014/30/EU

RoHS Directive 2011/65/EU

The following harmonized standards and other technical standards have been applied:

EN 60335-1

EN55014-1

EN55014-2

EN61000-3-2

EN61000-3-3

EN 62233

UL 962

47 CFR FCC Part 15, Subpart B

The desk support frame has been developed to meet the following standard requirements:

EN 527-2

www.hettich.com

Technik für Möbel

